

SONY®

Sound Bar

Operating Instructions GB

Manuel d'instructions FR

Manual de instrucciones ES

HDMI

<http://www.sony.net/>



* 4 5 6 5 1 2 3 1 2 * (1)

Owner's Record

The model and serial numbers are located on the bottom of the Bar Speaker. Record serial numbers in the space provided below. Refer to them whenever you call upon your Sony dealer regarding this product.

Model No. HT-CT380/CT780 _____

Serial No. _____

WARNING

To reduce the risk of fire or electric shock, do not expose this apparatus to rain or moisture.

The unit is not disconnected from the mains as long as it is connected to the AC outlet, even if the unit itself has been turned off.

To reduce the risk of fire, do not cover the ventilation opening of the appliance with newspapers, tablecloths, curtains, etc.

Do not expose the appliance to naked flame sources (for example, lighted candles).

To reduce the risk of fire or electric shock, do not expose this appliance to dripping or splashing, and do not place objects filled with liquids, such as vases, on the appliance.

As the main plug is used to disconnect the unit from the mains, connect the unit to an easily accessible AC outlet. Should you notice an abnormality in the unit, disconnect the main plug from the AC outlet immediately.

Do not install the appliance in a confined space, such as a bookcase or built-in cabinet.

Do not expose batteries or appliances with battery-installed to excessive heat, such as sunshine and fire.

Indoor use only.

For the Bar Speaker

The nameplate and the date of manufacture marking are located on the bottom.

For the customers in the U.S.A.



The Caution Marking is put on the Bottom Enclosure (For the Bar Speaker).



This symbol is intended to alert the user to the presence of uninsulated "dangerous voltage" within the product's enclosure that may be of sufficient magnitude to constitute a risk of electric shock to persons.



This symbol is intended to alert the user to the presence of important operating and maintenance (servicing) instructions in the literature accompanying the appliance.

Important Safety Instructions

- 1) Read these instructions.
- 2) Keep these instructions.
- 3) Heed all warnings.
- 4) Follow all instructions.
- 5) Do not use this apparatus near water.
- 6) Clean only with dry cloth.
- 7) Do not block any ventilation openings. Install in accordance with the manufacturer's instructions.
- 8) Do not install near any heat sources such as radiators, heat registers,

stoves, or other apparatus (including amplifiers) that produce heat.

- 9) Do not defeat the safety purpose of the polarized or grounding-type plug. A polarized plug has two blades with one wider than the other. A grounding type plug has two blades and a third grounding prong. The wide blade or the third prong are provided for your safety. If the provided plug does not fit into your outlet, consult an electrician for replacement of the obsolete outlet.
- 10) Protect the power cord from being walked on or pinched particularly at plugs, convenience receptacles, and the point where they exit from the apparatus.
- 11) Only use attachments/accessories specified by the manufacturer.
- 12) Use only with the cart, stand, tripod, bracket, or table specified by the manufacturer, or sold with the apparatus. When a cart is used, use caution when moving the cart/apparatus combination to avoid injury from tip-over.



- 13) Unplug this apparatus during lightning storms or when unused for long periods of time.
- 14) Refer all servicing to qualified service personnel. Servicing is required when the apparatus has been damaged in any way, such as power-supply cord or plug is damaged, liquid has been spilled or objects have fallen into the apparatus, the apparatus has been exposed to rain or moisture, does not operate normally, or has been dropped.

The following FCC statement applies only to the version of this model manufactured for sale in the U.S.A.

Other versions may not comply with FCC technical regulations.

NOTE:

This equipment has been tested and found to comply with the limits for a Class B digital device, pursuant to Part 15 of the FCC Rules. These limits are designed to provide reasonable protection against harmful interference in a residential installation. This equipment generates, uses and can radiate radio frequency energy and, if not installed and used in accordance with the instructions, may cause harmful interference to radio communications.

However, there is no guarantee that interference will not occur in a particular installation. If this equipment does cause harmful interference to radio or television reception, which can be determined by turning the equipment off and on, the user is encouraged to try to correct the interference by one or more of the following measures:

- Reorient or relocate the receiving antenna.
- Increase the separation between the equipment and receiver.
- Connect the equipment into an outlet on a circuit different from that to which the receiver is connected.
- Consult the dealer or an experienced radio/TV technician for help.

Properly shielded and grounded cables and connectors must be used for connection to host computers and/or peripherals in order to meet FCC emission limits.

CAUTION

You are cautioned that any changes or modifications not expressly approved in this manual could void your authority to operate this equipment.

This equipment must not be co-located or operated in conjunction with any other antenna or transmitter.

This equipment complies with FCC radiation exposure limits set forth for an uncontrolled environment and meets the FCC radio frequency (RF) Exposure Guidelines. This equipment has very low levels of RF energy that it deemed to comply without maximum permissive exposure evaluation (MPE). But it is desirable that it should be installed and operated keeping the radiator at least 20cm or more away from person's body (excluding extremities: hands, wrists, feet and ankles).

For the customers in Canada

Properly shielded and grounded cables and connectors must be used for connection to host computers and/or peripherals.

This device complies with Industry Canada's licence-exempt RSSs. Operation is subject to the following two conditions:

- (1) This device may not cause interference; and
- (2) This device must accept any interference, including interference that may cause undesired operation of the device.

This equipment complies with IC radiation exposure limits set forth for an uncontrolled environment and meets RSS-102 of the IC radio frequency (RF) Exposure rules.

This equipment has very low levels of RF energy that it deemed to comply without maximum permissive exposure evaluation (MPE). But it is desirable that it should be installed and operated keeping the radiator at least 20cm or more away from person's body (excluding extremities: hands, wrists, feet and ankles).

Copyrights and Trademarks

This system incorporates Dolby* Digital and the DTS** Digital Surround System.

* Manufactured under license from Dolby Laboratories. Dolby, and the double-D symbol are trademarks of Dolby Laboratories.

** For DTS patents, see <http://patents.dts.com>. Manufactured under license from DTS Licensing Limited. DTS, DTS-HD, the Symbol, & DTS and the Symbol together are registered trademarks of DTS, Inc. © DTS, Inc. All Rights Reserved.

The BLUETOOTH® word mark and logos are registered trademarks owned by Bluetooth SIG, Inc. and any use of such marks by Sony Corporation is under license.

This system incorporates High-Definition Multimedia Interface (HDMI™) technology. The terms HDMI and HDMI High-Definition Multimedia Interface, and the HDMI Logo are trademarks or registered trademarks of HDMI Licensing LLC in the United States and other countries.

The N Mark is a trademark or registered trademark of NFC Forum, Inc. in the United States and in other countries.

Android™ and Google Play™ are trademarks of Google Inc.

Apple, the Apple logo, iPhone, iPod, and iPod touch are trademarks of Apple Inc., registered in the U.S. and other countries. App Store is a service mark of Apple Inc.

“PlayStation®” is a registered trademark of Sony Computer Entertainment Inc.

Other trademarks and trade names are those of their respective owners.



“Made for iPod,” and “Made for iPhone” mean that an electronic accessory has been designed to connect specifically to iPod or iPhone, respectively, and has been certified by the developer to meet Apple performance standards. Apple is not responsible for the operation of this device or its compliance with safety and regulatory standards. Please note that the use of this accessory with iPod or iPhone may affect wireless performance.

Compatible iPod/iPhone models

The compatible iPod/iPhone models are as follows. Update your iPod/iPhone with the latest software before using with the system.

BLUETOOTH technology works with:
iPhone 6 Plus/iPhone 6/iPhone 5s/
iPhone 5c/iPhone 5/iPhone 4s/
iPhone 4/iPhone 3GS
iPod touch (5th generation)/iPod touch
(4th generation)

“BRAVIA” logo is a trademark of Sony Corporation.

“DSEE” is a trademark of Sony Corporation.

“ClearAudio+” is a trademark of Sony Corporation.

“x.v.Color” and “x.v.Color” logo are trademarks of Sony Corporation.

About these operating instructions

- The instructions in these Operating Instructions describe the controls on the remote control. You can also use the controls on the main unit if they have the same or similar names as those on the remote control.
- Some illustrations are presented as conceptual drawings, and may be different from the actual products.

Table of Contents

Connecting ➔ Startup Guide (separate document)

About these operating instructions	6	Saving power in standby mode	21
Listening		Mounting the Bar Speaker on a wall	22
Listening to sound from a TV, Blu-ray Disc™ player, cable/satellite box, etc.	8	Installing the subwoofer horizontally (HT-CT380 only)	24
Listening to music from a BLUETOOTH device	8	Linking the system (Link to the subwoofer)	24
Sound Adjustment		Additional Information	
Enjoying sound effects (Sports mode, etc.)	11	Precautions	25
BLUETOOTH Functions		Troubleshooting	26
Controlling the system using a smartphone or tablet device (SongPal)	12	Guide to parts and controls	31
Viewing Copyright-protected 4K Content (HT-CT780 only)		Supported audio formats	35
Connecting to a 4K TV and 4K devices	14	Specifications	37
Settings and Adjustments		On BLUETOOTH communication	39
Using the setup display	16	END USER LICENSE AGREEMENT	40
Other Functions			
Using the Control for HDMI function	19		
Using "BRAVIA" Sync features	20		
Using the parental lock function	21		

Listening

Listening to sound from a TV, Blu-ray Disc™ player, cable/satellite box, etc.

Press INPUT repeatedly.

When you press INPUT once, the current device appears on the front display, then each time you press INPUT, the device changes cyclically as follows.

[TV] → [HDMI 1] → [HDMI 2] → [HDMI 3] → [ANALOG] → [BT]

[TV]

Digital device that is connected to the DIGITAL IN (TV) jack or TV compatible with the Audio Return Channel function that is connected to HDMI OUT (ARC) jack

[HDMI 1] [HDMI 2] [HDMI 3]

Blu-ray Disc player, etc. that is connected to the HDMI IN 1, 2, or 3 jack

[ANALOG]

Analog device that is connected to the ANALOG IN jack

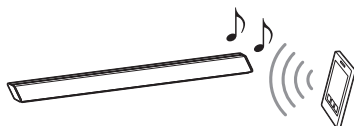
[BT]

BLUETOOTH device that supports A2DP

Tip

- If the BLUETOOTH functions are disabled, [BT OFF] appears instead of [BT].

Listening to music from a BLUETOOTH device



Pairing this system with a BLUETOOTH device

Pairing is the process required to create a link between BLUETOOTH devices to allow wireless connection. You must pair a device with the system before you start using the system.

Once BLUETOOTH devices are paired, there is no need to pair them again.

- 1 Press PAIRING on the system.**
The BLUETOOTH indicator (blue) flashes quickly during BLUETOOTH pairing.
- 2 Turn on the BLUETOOTH function on the BLUETOOTH device, search for devices and select this system (HT-CT380 or HT-CT780).**
If a Passkey is requested, enter "0000."
- 3 Make sure that the BLUETOOTH indicator (blue) lights up.**
Connection has been established.

Note

- You can pair up to 9 BLUETOOTH devices. If the 10th BLUETOOTH device is paired, the least recently connected device will be replaced by the new one.

Tip

- Once the BLUETOOTH connection is established, an indication recommending which application to download will be displayed, according to what equipment you have connected. Following the instructions displayed, an application called "SongPal," which will enable you to operate this system, can be downloaded. Refer to "Controlling the system using a smartphone or tablet device (SongPal)" (page 12).

Listening to music of the registered device

- 1 Press INPUT repeatedly to display [BT].**
The BLUETOOTH indicator (blue) flashes during attempting BLUETOOTH pairing.
- 2 On the BLUETOOTH device, select this system (HT-CT380 or HT-CT780).**
- 3 Make sure that the BLUETOOTH indicator (blue) lights up.**
- 4 Start playback on the BLUETOOTH device.**

Connecting to a BLUETOOTH device by One-touch functions (NFC)

By holding an NFC-compatible remote device near to the N-Mark on the system, the system and remote device proceed to complete pairing and the BLUETOOTH connection automatically.

Compatible remote devices

Remote devices with a built-in NFC function
(OS: Android 2.3.3 or later, excluding Android 3.x)

- 1 Download, install, and start the "NFC Easy Connect" application.**

**Note**

- The application may not be available in some countries/regions.

- 2 Hold the remote device near to the N-Mark on the system until the remote device vibrates.**



- 3 Make sure that the BLUETOOTH indicator (blue) lights up.**
Connection has been established.

Notes

- You can connect only one device at a time.
- Depending on a smartphone, you may need to set the NFC function to on beforehand. Refer to the operating instructions of the smartphone.

Tip

- If pairing and the BLUETOOTH connection fail, do the following.
 - Relaunch “NFC Easy Connect” and move the remote device slowly over the N-Mark.
 - Remove the case from the remote device if using a commercially available remote device case.

Sound Adjustment

Enjoying sound effects (Sports mode, etc.)

You can easily enjoy pre-programmed sound fields that are tailored to different kinds of sound sources.

Selecting the sound field

Press SOUND FIELD repeatedly until the desired sound field appears on the front panel display.

[CLEARAUDIO+]

The suitable sound setting is automatically selected for the sound source.

[STANDARD]

Corresponds to every source.

[MOVIE]

Sounds are played back with surround effects, and they are realistic and powerful, making them suitable for movies.

[SPORTS]

Commentary is clear, cheers are heard as surround-sound, and sounds are realistic.

[GAME]

Sounds are powerful and realistic, suitable for game play.

[MUSIC]

Sounds are played back to suit to a music program, music Blu-ray Disc, or DVD.

[P.AUDIO (Portable audio)]

Sounds are played back to suit to a portable music player using DSEE*.

* DSEE stands for Digital Sound Enhancement Engine, a high range compensation and fine sound restoration technology developed independently by Sony.

Setting the Night mode

Sounds are played back enhanced with sound effects and clarity of dialog.

Press NIGHT to display [N. ON].

To inactivate the Night mode, press NIGHT to display [N. OFF].

Setting the Voice mode

The Voice mode helps make dialogs clearer.

Press VOICE repeatedly to display the desired type.

[TYPE 1]

Dialog range is outputted directly.

[TYPE 2]

Dialog range is stressed.

[TYPE 3]

The range of dialogue is highlighted, and in treble parts with low volume difficult to be discerned by the elderly are boosted.

BLUETOOTH Functions

Controlling the system using a smartphone or tablet device (SongPal)

"SongPal" is the application to operate the system with your smartphone or tablet, etc.

"SongPal" is available from either Google Play or App Store.

This function is enabled by setting [BT PWR] to [ON] (page 17). The default setting is [ON].

When using an Android device

- 1 Press I/⏻ (on/standby) on the remote control.**
The display of the Bar Speaker lights up.
- 2 Search for "SongPal" with the Android device and download that application.**
- 3 Run "SongPal" then follow the on-screen instructions.**

Tip

- If the display for NFC connection appears, see "One-Touch connection using the Android device with the NFC function built-in (NFC)."

- 4 After the BLUETOOTH connection display appears on the Android device, press PAIRING.**
The BLUETOOTH indicator (blue) flashes quickly during BLUETOOTH pairing.

- 5 Select this system (HT-CT380 or HT-CT780) from the BLUETOOTH device list of the Android device.**

When the connection has been established, the BLUETOOTH indicator (blue) lights up.

- 6 Operate the system with the display of the connected Android device.**

One-Touch connection using the Android device with the NFC function built-in (NFC)

- 1 Perform steps 1 to 3 of "When using an Android device."**
- 2 After the BLUETOOTH connection display appears on the Android device, touch the Android device with the N-Mark on the Bar Speaker.**

When the connection has been established, the BLUETOOTH indicator (blue) lights up.

- 3 Operate the system with the display of the Android device.**

When using an iPhone/iPod touch

- 1 Press I/⏻ (on/standby) on the remote control.**
The display of the Bar Speaker lights up.
- 2 Press PAIRING.**
The BLUETOOTH indicator (blue) flashes quickly during BLUETOOTH pairing.

- 3 Set the iPhone/iPod touch to pairing mode and select this system (HT-CT380 or HT-CT780) from the BLUETOOTH device list on the iPhone/iPod touch.**

When the connection has been established, the BLUETOOTH indicator (blue) of the Bar Speaker lights up.

- 4 Search for "SongPal" with the connected iPhone/iPod touch and download that application.**

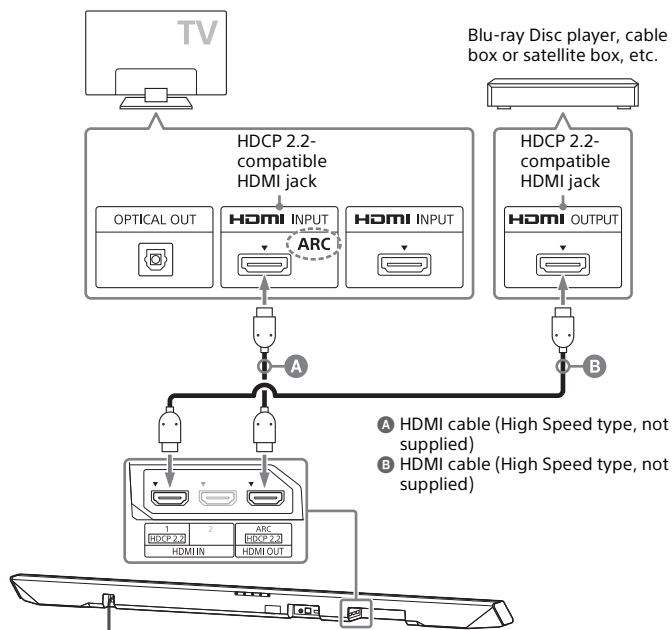
- 5 Run "SongPal" then operate the system with the display of the iPhone/iPod touch.**

Viewing Copyright-protected 4K Content (HT-CT780 only)

Connecting to a 4K TV and 4K devices

To view copyright-protected 4K content, connect the devices via an HDCP 2.2-compatible HDMI jack on each end. Copyright-protected 4K content can be viewed only by a connection via HDCP 2.2-compatible HDMI jacks. Refer to the TV's operating instructions as to whether or not the HDMI jack on the TV is HDCP 2.2-compatible.

When the TV's HDMI jack is HDCP 2.2-compatible and labeled with ARC

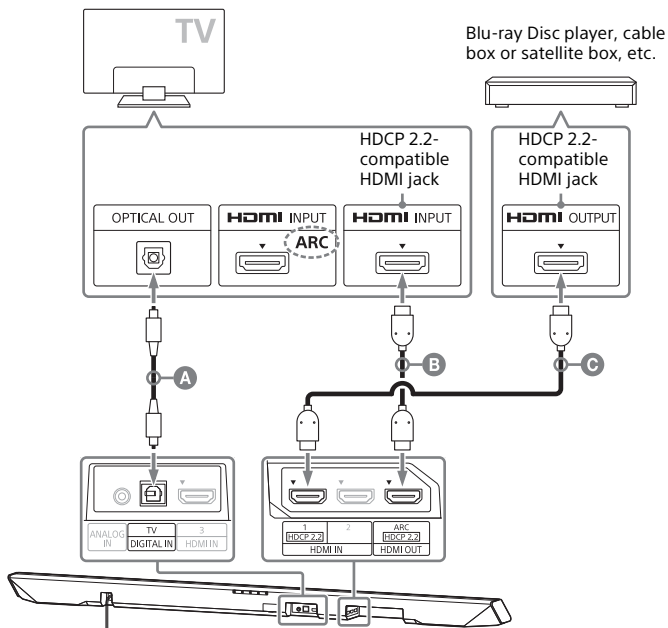


Tips

- The HDMI 1 INPUT jack of the Bar Speaker is compatible with HDCP 2.2.
- The ARC (Audio Return Channel) function sends digital sound from a TV to this system or an AV amplifier using just an HDMI cable.

When the TV's HDMI jack is HDCP 2.2-compatible and not labeled with ARC

Connect the optical digital cable to the optical output jack of the TV, and an HDMI cable to the HDCP 2.2-compatible HDMI input jack.



- A Optical digital cable (supplied)
- B HDMI cable (High Speed type, not supplied)
- C HDMI cable (High Speed type, not supplied)

Tip

- The HDMI 1 INPUT jack of the Bar Speaker is compatible with HDCP 2.2.

Using the setup display

You can set the following items with the menu.

Your settings are retained even if you disconnect the AC power cord (mains lead).

- 1 Press **MENU** to turn on the menu on the front panel display.
- 2 Press **BACK/▲ ▼ (select)/ENTER** repeatedly to select the item and press **ENTER** to decide the setting.
- 3 Press **MENU** to turn off the menu.

Menu list

The default settings are underlined.

Menu items		Function
[LEVEL] (Level)	[DRC] (Dynamic range control)	Useful for enjoying movies at low sound volume. DRC applies to Dolby Digital sources. <ul style="list-style-type: none"> • [ON]: Compresses sound in accordance with the information contained in the content. • [AUTO]: Automatically compresses sound encoded in Dolby TrueHD. • [OFF]: Sound is not compressed.
[TONE] (Tone)	[BASS] (Bass)	Adjusts the bass level. <ul style="list-style-type: none"> • The parameters range from [-6] to [+6] in 1-step increments.
	[TREBLE] (Treble)	Adjusts the treble level. <ul style="list-style-type: none"> • The parameters range from [-6] to [+6] in 1-step increments.
[AUDIO] (Audio)	[SYNC] (AV sync)	You can adjust the sound when the image and the sound are not in sync. <ul style="list-style-type: none"> • [ON]: Turns on the AV Sync function. • [OFF]: Turns off the AV Sync function.
	[DUAL] (Dual mono)	You can enjoy multiplex broadcast sound when the system receives a Dolby Digital multiplex broadcast signal. <ul style="list-style-type: none"> • [M/S]: Main sound is output from the left speaker and sub sound is output from the right speaker. • [MAIN]: Outputs only the main channel. • [SUB]: Outputs only the sub channel.
	[EFFECT] (Sound effect)	<ul style="list-style-type: none"> • [ON]: The sound of the selected sound field is played. It is recommended to use this setting. • [OFF]: The input source is down-mixed for 2 channels.
		Note <ul style="list-style-type: none"> • Even if [EFFECT] is set to [OFF], [EFFECT] is automatically set to [ON] when you change the sound field setting.

Menu items		Function
[AUDIO] (Audio)	[STREAM] (Stream)	Shows the current audio stream information. See page 36 on the supported audio formats.
[HDMI]	[CTRL] (Control for HDMI)	<ul style="list-style-type: none"> • [ON]: Turns on the Control for HDMI function. • [OFF]: Turns off the function. Select this setting when you want to connect a device not compatible with the Control for HDMI function.
	[S. THRU] (Standby-through)	<p>You can set the power saving mode of the HDMI standby-through function.</p> <ul style="list-style-type: none"> • [AUTO]: Outputs signals from the HDMI OUT jack of the system in standby mode according to the status of the TV. This setting saves power in standby mode compared with the [ON] setting. • [ON]: Always outputs signals from the HDMI OUT jack in standby mode. If any TV other than "BRAVIA" is connected, use the system with the [ON] setting. <p>Note</p> <ul style="list-style-type: none"> • This item appears only when [CTRL] is set to [ON].
	[ARC] (Audio Return Channel)	<p>Set this item to listen to digital sound from a TV compatible with the Audio Return Channel (ARC) technology that is connected using a High Speed HDMI cable.</p> <ul style="list-style-type: none"> • [ON]: Turns on the ARC function. • [OFF]: Turns off the ARC function. <p>Note</p> <ul style="list-style-type: none"> • This item appears only when [CTRL] is set to [ON].
[SET BT] (Set BLUETOOTH)	[BT PWR] (BLUETOOTH power)	<p>Turns on or off the BLUETOOTH function of this system.</p> <ul style="list-style-type: none"> • [ON]: Turns on the BLUETOOTH function. • [OFF]: Turns off the BLUETOOTH function. <p>Note</p> <ul style="list-style-type: none"> • If you change the setting to [OFF], the BLUETOOTH function is disabled.
	[BT.STBY] (BLUETOOTH standby)	<p>When the system has pairing information, the system is in BLUETOOTH standby mode even when it is turned off.</p> <ul style="list-style-type: none"> • [ON]: BLUETOOTH standby mode is enabled. • [OFF]: BLUETOOTH standby mode is disabled. <p>Note</p> <ul style="list-style-type: none"> • If the system does not have pairing information, BLUETOOTH standby mode cannot be set.
	[AAC] (Advanced audio coding)	<p>You can set whether or not the system uses AAC via BLUETOOTH.</p> <ul style="list-style-type: none"> • [ON]: The system uses AAC via BLUETOOTH. • [OFF]: The system does not use it. <p>Note</p> <ul style="list-style-type: none"> • If you change the setting when the system is connected with a BLUETOOTH device, the system will be disconnected from the device.

Menu items		Function
[SYSTEM] (System)	[A. STBY] (Auto standby)	You can reduce power consumption. The system enters standby mode automatically when you do not operate the system for about 20 minutes and the system is not receiving an input signal. <ul style="list-style-type: none"> • [ON]: Turns on the auto standby function. • [OFF]: Turns off the function.
	[VER] (Version)	The current firmware version information appears on the front panel display.
	[SYS.RST] (System reset)	You can reset menus and settings (sound fields, etc.) of the system to the initial status when it does not work properly (page 30).
	[UPDATE]* (Update)	Updates will be announced on the Sony website. Update the system following the instructions on the website.
[WS] (Wireless sound)	[LINK]	You can link the wireless sound system again (page 24).
	[RF CHK] (RF check)	You can check whether the wireless sound system of the system can communicate or not. <ul style="list-style-type: none"> • [OK]: The wireless sound system is working. • [NG]: The wireless sound system is not working.

* HT-CT780 only

Using the Control for HDMI function

By using the Control for HDMI function, and connecting a device that is compatible with the Control for HDMI function via an HDMI cable (High Speed type), operation is simplified with the features below.

The Control for HDMI function is enabled by setting [CTRL (Control for HDMI)] to [ON] (page 17). The default setting is [ON].

Control for HDMI is a mutual control function standard used by HDMI CEC (Consumer Electronics Control) for HDMI (High-Definition Multimedia Interface).

System Power Off

When you turn off the TV, the system and the connected device will turn off automatically.

System Audio Control

If you turn on the system while you are watching the TV, the TV sound will be output from the speakers of the system automatically.

The volume of the system will be adjusted when you adjust the volume using the TV's remote control.

If the TV sound was output from the speakers of the system the last time you watched the TV, the system will be turned on automatically when you turn on the TV again.

Audio Return Channel (ARC)

If the TV is compatible with the Audio Return Channel (ARC) technology, an HDMI cable connection will allow you to

listen to the TV sound from the speakers of the system.

The ARC function is enabled by setting [ARC (Audio return channel)] to [ON] (page 17). The default setting is [ON].

One-Touch Play

When you activate the device (Blu-ray Disc player, "PlayStation®4," etc.) connected to the system with a High Speed HDMI cable, the connected TV is turned on automatically and the input signal of the system is switched to the appropriate HDMI input.

Home Theatre Control

If a Home Theatre Control-compatible TV is connected to the system, the system menu appears on the connected TV. You can switch an input of the system or switch sound fields by using the remote control of your TV. You can also adjust the settings of voice level, subwoofer volume, treble, bass, night mode, Dual Mono, or A/V Sync. Your TV must be able to access a broadband service to use the Home Theatre Control function.

Notes

- The above features may not operate with certain device.
- Depending on the settings of the connected device, the Control for HDMI function may not work correctly. Refer to the operating instructions of the device.

Using "BRAVIA" Sync features

The original Sony functions listed below can also be used with products that are compatible with "BRAVIA" Sync.

Power save

If a "BRAVIA" Sync-compatible TV is connected to the system, the power consumption will be reduced in standby mode by stopping HDMI signal transmission when the TV is turned off with the HDMI standby-through function* of the system set to [AUTO] (page 17). The default setting is [AUTO]. If any TV other than "BRAVIA" is connected, set the item to [ON] (page 17).

* The HDMI standby-through function is used to output the signals from the HDMI OUT jack of this system even if it is in standby mode.

Notes on HDMI connections

- Use a High Speed HDMI cable. If you use a Standard HDMI cable, 1080p, Deep Color, 3D, and 4K content may not be displayed properly.
- Use an HDMI-authorized cable. Use a Sony High Speed HDMI cable with the Cable Type Logo.
- We do not recommend using an HDMI-DVI conversion cable.
- Check the setup of the connected equipment if an image is poor or the sound does not come out of the equipment connected via the HDMI cable.
- Audio signals (sampling frequency, bit length, etc.) transmitted from an HDMI jack may be suppressed by the connected equipment.
- Sound may be interrupted when the sampling frequency or the number of

channels of audio output signals from the playback equipment is switched.

- If the connected equipment is not compatible with copyright-protection technology (HDCP), the image and/or the sound from the HDMI OUT jack of this system may be distorted or may not be output. In such a case, check the specifications of the connected equipment.
- When "TV" is selected as the input source of the system, video signals via one of the HDMI IN 1/2/3 jacks selected last time are output from the HDMI OUT jack.
- This system supports Deep Color, "x.v.Color," 3D, and 4K transmission.
- To enjoy 3D content, connect a 3D-compatible TV and video equipment (Blu-ray Disc player, "PlayStation®4," etc.) to the system using High Speed HDMI cables, put on 3D glasses, and then play back a 3D-compatible Blu-ray Disc, etc.
- To enjoy 4K content, the TV and players that are connected to the system must be compatible with 4K content.

Using the parental lock function

Buttons on the Bar Speaker, except for the **I/⏻** (on/standby) button, will be disabled.

Press INPUT on the Bar Speaker for about 5 seconds when the system is on.

[LOCKED] appears on the display.
To cancel the parental lock function, press INPUT again for about 5 seconds to display [UNLOCK].

Saving power in standby mode

Check that you have made the following settings:

- [CTRL] in [HDMI] is set to [OFF] (page 17).
- [S. THRU] in [HDMI] to [AUTO] (page 17).

Mounting the Bar Speaker on a wall

You can mount the Bar Speaker on a wall.

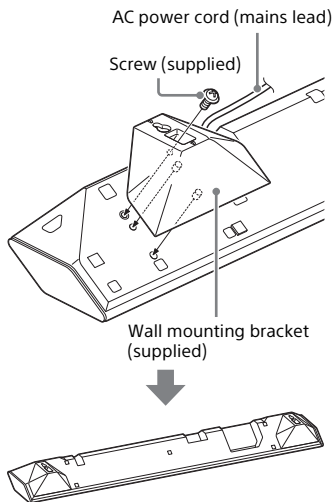
Notes

- Prepare screws (not supplied) that are suitable for the wall material and strength. As a plasterboard wall is especially fragile, attach the screws securely to two studs in the wall beam. Install the Bar Speaker horizontally, hung by screws in studs in a continuous flat section of the wall.
- Be sure to subcontract the installation to Sony dealers or licensed contractors and pay special attention to safety during the installation.
- Sony shall not be held responsible for accidents or damage caused by improper installation, insufficient wall strength, improper screw installation or natural calamity, etc.

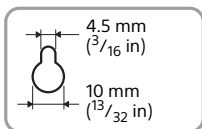
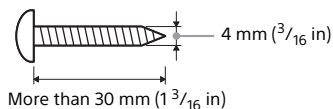
- 1 Fix the supplied wall mounting brackets to the bracket fixing holes on the bottom of the Bar Speaker with the supplied screws so that the surface of each wall mounting bracket is as shown in the illustration.

Fix the two wall mounting brackets to the left and right fixing holes on the bottom of the Bar Speaker.

Illustrative example: HT-CT780



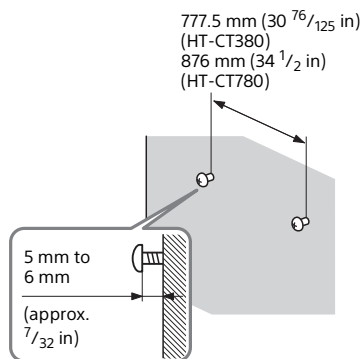
- 2 Prepare screws (not supplied) that are suitable for the holes in the brackets.**



Hole in the bracket

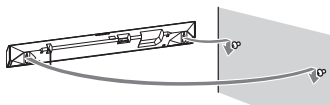
- 3 Fasten the screws to 2 studs in the wall.**

The screws should protrude by 5 mm to 6 mm (approx. $\frac{7}{32}$ in).



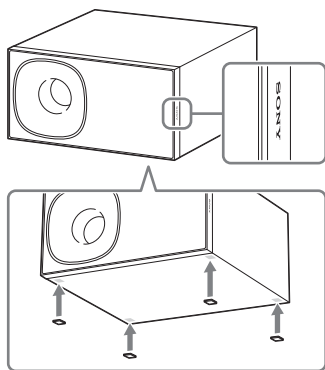
- 4 Hang the Bar Speaker on the screws.**

Align the holes in the brackets with the screws, then hang the Bar Speaker on the two screws.



Installing the subwoofer horizontally (HT-CT380 only)

Place the subwoofer on the right side with the "SONY" logo facing front.



Attach the supplied speaker pads.

Linking the system (Link to the subwoofer)

Set up the wireless subwoofer connection again.

- 1 Press MENU.**
- 2 Select [WS] with \blacktriangle \blacktriangledown (select), then press ENTER.**
- 3 Select [LINK] with \blacktriangle \blacktriangledown (select), then press ENTER.**
- 4 When [START] appears on the display, press ENTER.**
[SEARCH] appears, and the Bar Speaker searches for a device that can be used with Link. Proceed to the next step within 1 minute. To quit the Link function while searching for a device, press BACK.
- 5 Press LINK on the subwoofer.**
The on/standby indicator on the subwoofer lights up in green. [OK] appears on the display of the Bar Speaker.
If [FAILED] appears, check to ensure the subwoofer is turned on and perform the process again from step 1.
- 6 Press MENU.**
The menu turns off.

Precautions

On safety

- Should any solid object or liquid fall into the system, unplug the system and have it checked by qualified personnel before operating it any further.
- Do not climb on the Bar Speaker and subwoofer, as you may fall down and injure yourself, or system damage may result.

On power sources

- Before operating the system, check that the operating voltage is identical to your local power supply. The operating voltage is indicated on the nameplate on the bottom of the Bar Speaker.
- If you are not going to use the system for a long time, be sure to disconnect the system from the wall outlet (mains). To disconnect the AC power cord (mains lead), grasp the plug itself; never pull the cord.
- One blade of the plug is wider than the other for the purpose of safety and will fit into the wall outlet (mains) only one way. If you are unable to insert the plug fully into the outlet, contact your dealer.
- AC power cord (mains lead) must be changed only at a qualified service shop.

On heat buildup

Although the system heats up during operation, this is not a malfunction. If you continuously use this system at high volume, the system temperature at the rear and bottom rises considerably. To avoid burning yourself, do not touch the system.

On placement

- Place the system in a location with adequate ventilation to prevent heat

buildup and prolong the life of the system.

- Do not place the system near heat sources or in a place subject to direct sunlight, excessive dust, or mechanical shock.
- Do not place anything at the rear of the Bar Speaker and subwoofer that might block the ventilation holes and cause malfunctions.
- If the system is being used in combination with a TV, VCR, or tape deck, noise may result and picture quality may suffer. In such a case, place the system away from the TV, VCR, or tape deck.
- Use caution when placing the system on a surface that has been specially treated (with wax, oil, polish, etc.), as staining or discoloration of the surface may result.
- Take care to avoid any possible injury from the corners of the Bar Speaker and subwoofer.
- Keep 3 cm (1³/₁₆ in) or more space under the Bar Speaker when you hang it on a wall.

On operation

Before connecting other equipment, be sure to turn off and unplug the system.

If you encounter color irregularity on a nearby TV screen

Color irregularities may be observed on certain types of TV.

- If color irregularity is observed...
Turn off the TV, then turn it on again after 15 to 30 minutes.
- If color irregularity is observed again...
Place the system further away from the TV.

On cleaning

Clean the system with a soft, dry cloth. Do not use any type of abrasive pad, scouring powder, or solvent such as alcohol or benzene.

If you have any question or problem concerning your system, please consult your nearest Sony dealer.

Troubleshooting

If you experience any of the following difficulties while using the system, use this troubleshooting guide to help remedy the problem before requesting repairs. Should any problem persist, consult your nearest Sony dealer.

General

The power does not turn on.

- Check that the AC power cord (mains lead) is connected securely.

The system does not work normally.

- Disconnect the AC power cord (mains lead) from the wall outlet (mains), then reconnect after several minutes.

The system is turned off automatically.

- The auto standby function is working. Set [A. STBY] in [SYSTEM] to [OFF] (page 18).

Sound

No TV sound is output from the system.

- Repeatedly press the INPUT button on the remote control to display [TV] on the display (refer to the supplied Startup Guide).
- Turn on the TV first, then the system. Set the speakers setting of the TV (BRAVIA) to Audio System. Refer to the operating instructions of the TV for the TV setting.
- Check the connection of the HDMI cable, optical digital cable, or audio cable that is connected to the system and the TV (refer to the supplied Startup Guide).
- Increase the volume on the TV or cancel muting.

- When a TV compatible with the Audio Return Channel (ARC) technology is connected with an HDMI cable, make sure the cable is connected to the HDMI input (ARC) terminal of the TV. If sound is still not output or is dropped, connect the supplied optical digital cable and set [ARC] to [OFF] in the menu (page 17). (Refer to the supplied Startup Guide regarding the connection.)

- If the TV is not compatible with the Audio Return Channel (ARC) technology, connect the optical digital cable. TV sound is not output via an HDMI connection (refer to the supplied Startup Guide).

- If no sound is output from an optical digital output jack or the TV does not have an optical digital output jack, connect the cable box or satellite box directly to the DIGITAL IN (TV) jack of the system.

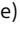
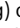

The sound is output from both the system and the TV.

- Turn off the sound of the TV.

The TV sound from this system lags behind the image.

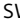
- If [SYNC] is set to [ON], set it to [OFF] (page 16).
- When you are watching movies, you may hear the sound with a slight delay from the image.

No sound or only a very low-level sound of the device connected to the Bar Speaker is heard from the Bar Speaker.

- Press the  (volume) + button on the remote control and check the volume level (page 31).
- Press the  (muting) or  (volume) + button on the remote control to cancel the muting function (page 31).

- Make sure the input source is selected correctly. You should try other input sources by pressing the INPUT button on the remote control several times (page 8).
- Check that all the cables and cords of the system and the connected device are firmly inserted.

No sound or only a very low-level sound is heard from the subwoofer.

- Press the SW  (subwoofer volume) + button on the remote control to increase the subwoofer volume (page 31).
- Make sure that the on/standby indicator on the subwoofer is lit in green. If not, refer to "No sound is heard from the subwoofer." in "Subwoofer wireless sound" (page 28).
- A subwoofer is for reproducing bass sound. In the case of input sources that contain very little bass sound components (i.e., a TV broadcast), the sound from the subwoofer may be difficult to hear.
- When you play content compatible with copyright protection technology (HDCP), it is not output from the subwoofer.

The surround effect cannot be obtained.

- Depending on the input signal and the sound field setting, surround sound processing may not work effectively. The surround effect may be subtle, depending on the program or disc.
- To play multi channel audio, check the digital audio output setting on the device connected to the system. For details, refer to the operating instructions supplied with the connected device.

BLUETOOTH device

BLUETOOTH connection cannot be completed.

- Make sure that the BLUETOOTH indicator (blue) is lit (page 31).

System status	BLUETOOTH indicator (blue)
During BLUETOOTH pairing	Flashes quickly
The system is attempting to connect with a BLUETOOTH device	Flashes
The system has established connection with a BLUETOOTH device	Lit
The system is in BLUETOOTH standby mode (when the system is off)	Unlit

- Make sure the BLUETOOTH device to be connected is turned on and the BLUETOOTH function is enabled.
- Bring this system and the BLUETOOTH device closer together.
- Pair this system and the BLUETOOTH device again. You may need to cancel the pairing with this system using your BLUETOOTH device first.
- If [BT PWR] of the system is set to [OFF], set to [ON] (page 17).

Pairing cannot be achieved.

- Bring this system and the BLUETOOTH device closer together (page 8).
- Make sure this system is not receiving interference from a wireless LAN equipment, other 2.4 GHz wireless devices, or a microwave oven. If a device that generates electromagnetic

radiation is nearby, move the device away from this system.

No sound is output from the connected BLUETOOTH device.

- Make sure that the BLUETOOTH indicator (blue) is lit (page 31).
- Bring this system and the BLUETOOTH device closer together.
- If a device that generates electromagnetic radiation, such as a wireless LAN equipment, other BLUETOOTH devices, or a microwave oven is nearby, move the device away from this system.
- Remove any obstacle between this system and the BLUETOOTH device or move this system away from the obstacle.
- Reposition the connected BLUETOOTH device.
- Try changing the wireless frequency of the Wi-Fi router, computer, etc. to 5 GHz band.
- Increase the volume on the connected BLUETOOTH device.


The sound is not in sync with the image.

- When you are watching movies, you may hear the sound with a slight delay from the image.

Subwoofer wireless sound

No sound is heard from the subwoofer.

- Check that the AC power cord (mains lead) of the subwoofer is connected properly.
- The on/standby indicator does not light.
 - Check that the AC power cord (mains lead) of the subwoofer is connected properly.
 - Press the I/⏻ (on/standby) button of the subwoofer to turn on the power.

- The on/standby indicator flashes slowly in green or lights in red.
 - Move the subwoofer to a location near the Bar Speaker so that the on/standby indicator lights in green.
 - Follow the steps in “Linking the system (Link to the subwoofer)” (page 24).
 - Check the communication status of the wireless sound system with [RF CHK] of the menu (page 18).
- The on/standby indicator flashes quickly in green.
 - Consult your nearest Sony dealer.
- The on/standby indicator flashes in red.
 - Press the I/⏻ (on/standby) button of the subwoofer to turn off the power and check whether the ventilation opening of the subwoofer is blocked or not.
- The subwoofer is designed for playback of bass sound. When the input source does not contain much of bass sound, as is the case with most TV programs, the bass sound may not be audible.
- Press the SW  (subwoofer volume) + button on the remote control to increase the volume of the subwoofer (page 34).

Sound skips or has noise.

- If there is a device nearby that generates electromagnetic waves like a wireless LAN or a microwave oven in use, locate the system apart from it.
- If there is an obstacle between the Bar Speaker and the subwoofer, move or remove it.
- Locate the Bar Speaker and the subwoofer as close as possible.

- Switch the wireless LAN frequency of any nearby Wi-Fi router or personal computer to 5 GHz band.
- Switch the TV, Blu-ray Disc player, etc. from wireless LAN to wired LAN.

Remote control

The remote control does not function.

- Point the remote control at the center of the front panel (remote control sensor) of the system (page 31).
- Remove any obstacles in the path between the remote control and the system.
- Replace both batteries in the remote control with new ones, if they are weak.
- Make sure you are pressing the correct button on the remote control.

The TV remote control does not work.

- Install the Bar Speaker so that it does not obstruct the remote control sensor of the TV.

Others

The Control for HDMI function does not work properly.

- Check the HDMI connection (refer to the supplied Startup Guide).
- Set up the Control for HDMI function on the TV. Refer to the operating instructions supplied with the TV for TV setting.
- If you connect/disconnect the AC power cord (mains lead), wait more than 15 seconds before operating the system.
- Make sure that any device connected is compatible with "BRAVIA" Sync.
- Check the Control for HDMI settings on the connected device. Refer to

the operating instructions supplied with the connected device.

- If you connect the audio output of video device with the system, using a cable other than an HDMI cable, no sound may be output because of the Control for HDMI function. In such a case, set [CTRL (Control for HDMI)] in [HDMI] to [OFF] (page 17) or connect the cable from the audio output jack of the video device directly to the TV.
- The type and number of devices that can be controlled by the "BRAVIA" Sync feature is restricted by HDMI CEC standard as follows:
 - Recording devices (Blu-ray Disc recorder, DVD recorder, etc.): up to 3
 - Playback devices (Blu-ray Disc Player, DVD player, etc.): up to 3
 - Tuner-related devices: up to 4
 - Audio system (receiver/headphone): up to 1 (including this system)

No image is output from the TV when the Bar Speaker is in standby mode.

- Make sure [S. THRU] is set to [ON] (page 17).

If [PTECT (protect)] appears on the front panel display of the Bar Speaker

- Press the I/⏻ (on/standby) button on the Bar Speaker to turn off the system. After the display stops flashing, disconnect the AC power cord (mains lead) then check that nothing is blocking the ventilation holes of the Bar Speaker.

The front panel display of the Bar Speaker is not lit.

- Press DIMMER to set the brightness to bright or dark, if set to off (page 34).

Sensors of the TV do not work properly.

- The Bar Speaker may block some sensors (such as the brightness sensor) and the remote control receiver of your TV, or the “emitter for 3D glasses (infrared transmission)” of a 3D TV that supports the infrared 3D glass system or the wireless communication. Move the Bar Speaker away from the TV within a range that allow those parts to operate properly. For the locations of the sensors and remote control receiver, refer to the operating instructions supplied with the TV.

Reset

If the system still does not operate properly, reset the system as follows:

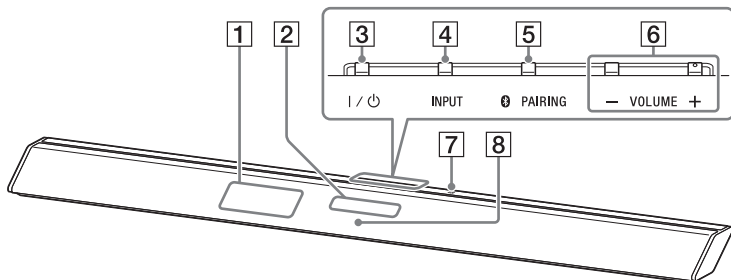
- 1 Press I/⏻ (on/standby) to turn on the system.**
- 2 Press MENU.**
- 3 Select [SYSTEM] with ▲ ▼ (select), then press ENTER.**
- 4 Select [SYS.RST] with ▲ ▼ (select), then press ENTER.**
- 5 When [START] appears on the display of the Bar Speaker, press ENTER.**
[RESET] appears on the display, and the settings of the menu and sound fields, etc. return to their initial status.
- 6 When [RESET] disappears, disconnect the AC power cord (mains lead).**

Guide to parts and controls

For more information, refer to the pages indicated in parentheses.

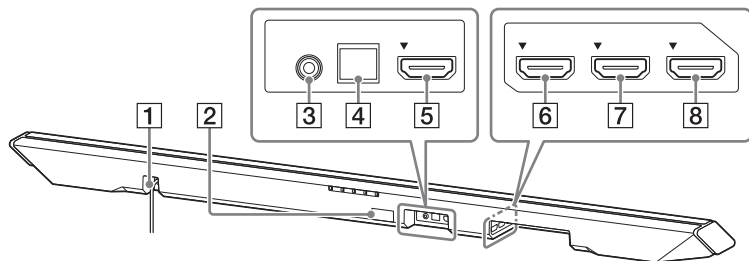
Bar Speaker

Front and top panels



- 1** Remote control sensor
- 2** Front panel display
- 3** I/⏻ (on/standby) button
- 4** INPUT button (page 8, 21)
- 5** PAIRING button (page 8)
- 6** VOLUME +/- buttons
- 7** N-Mark (page 9)
When using the NFC function, touch your NFC-compatible device to the mark.
- 8** BLUETOOTH indicator (blue)
BLUETOOTH status
 - During BLUETOOTH pairing: Flashes quickly
 - BLUETOOTH connection is being attempted: Flashes
 - BLUETOOTH connection has been established: Lit
 - BLUETOOTH standby mode (when the system is off): Unlit

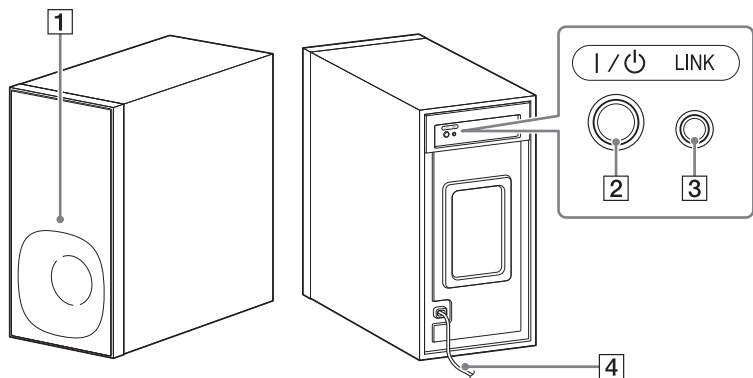
Rear panel



- 1** AC power cord (mains lead)
- 2** UPDATE port (HT-CT780 only)
For update only
- 3** ANALOG IN jack
- 4** DIGITAL IN (TV) jack
- 5** HDMI IN 3 jack

- 6** HDMI IN 1 jack
HT-CT780 is compatible with HDCP 2.2.
- 7** HDMI IN 2 jack
- 8** HDMI OUT (ARC) jack
HT-CT780 is compatible with HDCP 2.2.

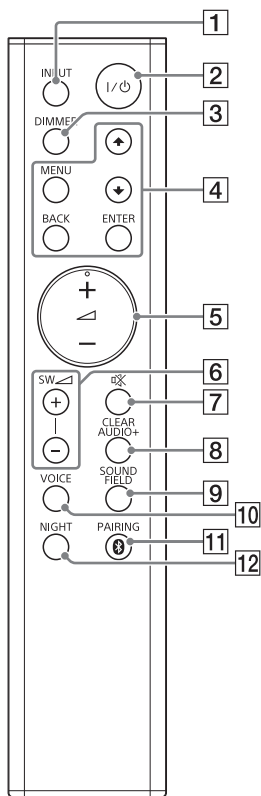
Subwoofer



- 1** On/standby indicator
- 2** I / ⏻ (on/standby) button

- 3** LINK button (page 24)
- 4** AC power cord (mains lead)

Remote control



- 1 INPUT button (page 8)**
- 2 I/⏻ (on/standby) button**
- 3 DIMMER button**
The display brightness can be switched.
Bright → Dark → Off

- When the display brightness is set to "Off," the display is turned off after the display shows operation status for several seconds.

- 4 MENU/▲▼ (select)/ENTER/BACK buttons (page 16)**
Press ▲ or ▼ to select the menu items. Then press ENTER to enter the selection.
To return to the previous display, press BACK.
- 5 ▲ (volume) +*/- buttons**
Adjusts the volume.
- 6 SW ▲ (subwoofer volume) +/- buttons**
Adjusts the volume of bass sound.
- 7 ✖ (muting) button**
Turns off the sound temporarily.
- 8 CLEARAUDIO+ button**
Automatically selects the suitable sound setting for the sound source.
- 9 SOUND FIELD button (page 11)**
Selects a sound mode.
- 10 VOICE button (page 11)**
- 11 PAIRING button (page 8)**
- 12 NIGHT button (page 11)**

* The ▲ + button has a tactile dot. Use it as a guide during operation.

Supported audio formats

Digital audio input formats supported by the system

Audio formats supported by this system are as follows.

- Dolby Digital
- Dolby Digital Plus*
- Dolby TrueHD*
- DTS
- DTS96/24
- DTS-HD Master Audio*
- DTS-HD High Resolution Audio*
- DTS-HD Low Bit Rate*
- Linear PCM 2ch 48 kHz or less
- Linear PCM Maximum 7.1ch 192 kHz or less*

* It is possible to input these formats only with HDMI connection.

Video formats supported by the system

Input/Output (HDMI Repeater block)

File	2D	3D		
		Frame packing	Side-by-Side (Half)	Over-Under (Top-and-Bottom)
4096 × 2160p @ 59.94/60 Hz*	○	–	–	–
4096 × 2160p @ 50 Hz*	○	–	–	–
4096 × 2160p @ 23.98/24 Hz**	○	–	–	–
3840 × 2160p @ 59.94/60 Hz*	○	–	–	–
3840 × 2160p @ 50 Hz*	○	–	–	–
3840 × 2160p @ 29.97/30 Hz**	○	–	–	–
3840 × 2160p @ 25 Hz**	○	–	–	–
3840 × 2160p @ 23.98/24 Hz**	○	–	–	–
1920 × 1080p @ 59.94/60 Hz	○	–	○	○
1920 × 1080p @ 50 Hz	○	–	○	○
1920 × 1080p @ 29.97/30 Hz	○	○	○	○
1920 × 1080p @ 25 Hz	○	○	○	○
1920 × 1080p @ 23.98/24 Hz	○	○	○	○
1920 × 1080i @ 59.94/60 Hz	○	○	○	○
1920 × 1080i @ 50 Hz	○	○	○	○
1280 × 720p @ 59.94/60 Hz	○	○	○	○
1280 × 720p @ 50 Hz	○	○	○	○
1280 × 720p @ 29.97/30 Hz	○	○	○	○
1280 × 720p @ 23.98/24 Hz	○	○	○	○
720 × 480p @ 59.94/60 Hz	○	–	–	–
720 × 576p @ 50 Hz	○	–	–	–
640 × 480p @ 59.94/60 Hz	○	–	–	–

* YCbCr 4:2:0/Supported 8-bit only

** Supported 8-bit only

Specifications

Bar Speaker (SA-CT380, SA-CT780)

Amplifier section

U.S. models:

POWER OUTPUT AND TOTAL HARMONIC DISTORTION:
(FTC)

Front L + Front R:

With 4 ohms loads, both channels driven, from 200 Hz - 20,000 Hz; rated 35 Watts per channel minimum RMS power, with no more than 1% total harmonic distortion from 250 milliwatts to rated output.

POWER OUTPUT (reference)

SA-CT380:

Front L/Front R: 100 Watts (per channel at 4 ohms, 1 kHz)

SA-CT780:

Front L/Front R: 105 Watts (per channel at 4 ohms, 1 kHz)

Canadian models:

POWER OUTPUT (rated)

Front L + Front R:

50 W + 50 W (at 4 ohms, 1 kHz, 1% THD)

POWER OUTPUT (reference)

SA-CT380:

Front L/Front R: 100 Watts (per channel at 4 ohms, 1 kHz)

SA-CT780:

Front L/Front R: 105 Watts (per channel at 4 ohms, 1 kHz)

Inputs

HDMI IN* 1/2/3

ANALOG IN

DIGITAL IN (TV)

Outputs

HDMI OUT** (ARC)

* HT-CT380: The 1, 2, and 3 jacks are identical. Using any of them makes no difference.

HT-CT780: The 1 jack supports HDCP 2.2 protocol. HDCP 2.2 is newly enhanced copyright protection technology that is used to protect content such as 4K

movies. The 2 and 3 jacks are identical. Using any of them makes no difference.

** HT-CT780: The HDMI OUT jack supports HDCP 2.2 protocol. HDCP 2.2 is newly enhanced copyright protection technology that is used to protect content such as 4K movies.

HDMI Section

Connector

Type A (19pin)

BLUETOOTH section

Communication system

BLUETOOTH Specification version 3.0

Output

BLUETOOTH Specification Power Class 2

Maximum communication range

Line of sight approx. 10 m (33 ft)¹⁾

Maximum number of devices to be

registered

9 devices

Frequency band

2.4 GHz band (2.4000 GHz - 2.4835 GHz)

Modulation method

FHSS (Freq Hopping Spread Spectrum) Compatible BLUETOOTH profiles²⁾

A2DP 1.2 (Advanced Audio Distribution Profile)

AVRCP 1.3 (Audio Video Remote Control Profile)

Supported Codecs³⁾

SBC⁴⁾, AAC⁵⁾

Transmission range (A2DP)

20 Hz - 20,000 Hz (Sampling frequency 44.1 kHz)

¹⁾ The actual range will vary depending on factors such as obstacles between devices, magnetic fields around a microwave oven, static electricity, cordless phone, reception sensitivity, operating system, software application, etc.

²⁾ BLUETOOTH standard profiles indicate the purpose of BLUETOOTH communication between devices.

³⁾ Codec: Audio signal compression and conversion format

⁴⁾ Subband Codec

⁵⁾ Advanced Audio Coding

Front L/Front R speaker section

Speaker system

- SA-CT380: Full range speaker system, Acoustic suspension
- SA-CT780: 2-way speaker system, Acoustic suspension

Speaker

- SA-CT380: 60 mm (2³/₈ in) cone type
- SA-CT780: Woofer: 60 mm (2³/₈ in) cone type
Tweeter: 19 mm (3/4 in) soft dome type

General

Power requirements

- 120 V AC, 60 Hz

Power consumption

- SA-CT380:
 - On: 37 W
 - Standby: 0.3 W or less (at the Power saving mode, see page 21)
 - Standby: 0.5 W or less (When [S. THRU] is [ON]: 6 W or less)

SA-CT780:

- On: 40 W
- Standby: 0.3 W or less (at the Power saving mode, see page 21)
- Standby: 0.5 W or less (When [S. THRU] is [ON]: 6 W or less)

Dimensions (approx.) (w/h/d)

SA-CT380:

- 900 mm × 51 mm × 117 mm (35¹/₂ in × 2¹/₈ in × 4⁵/₈ in) (without wall mounting brackets)

- 900 mm × 120 mm × 72 mm (35¹/₂ in × 4³/₄ in × 2⁷/₈ in) (with wall mounting brackets)

SA-CT780:

- 1,030 mm × 55 mm × 117 mm (40⁵/₈ in × 2¹/₄ in × 4⁵/₈ in) (without wall mounting brackets)

- 1,030 mm × 120 mm × 74 mm (40⁵/₈ in × 4³/₄ in × 3 in) (with wall mounting brackets)

Mass (approx.)

- SA-CT380: 2.4 kg (5 lb 4⁵/₈ oz)
- SA-CT780: 2.8 kg (6 lb 2³/₄ oz)

Subwoofer (SA-WCT380, SA-WCT780)

POWER OUTPUT (reference)

SA-WCT380:

- 100 W (per channel at 4 ohms, 100 Hz)

SA-WCT780:

- 120 W (per channel at 4 ohms, 100 Hz)

Speaker system

- Subwoofer system, Bass reflex

Speaker

- SA-WCT380: 13 cm (5¹/₄ in) cone type
- SA-WCT780: 16 cm (6¹/₂ in) cone type

Power requirements

- 120 V AC, 60 Hz

Power consumption

SA-WCT380:

- On: 20 W

- Standby mode: 0.5 W or less

SA-WCT780:

- On: 30 W

- Standby mode: 0.5 W or less

Dimensions (approx.) (w/h/d)

SA-WCT380:

- 170 mm × 342 mm × 381 mm (6³/₄ in × 13¹/₂ in × 15 in) (vertical installation)

- 342 mm × 172 mm × 381 mm (13¹/₂ in × 6⁷/₈ in × 15 in) (horizontal installation)

SA-WCT780:

- 191 mm × 382 mm × 390 mm (7⁵/₈ in × 15¹/₈ in × 15³/₈ in)

Mass (approx.)

- SA-WCT380: 6.6 kg (14 lb 8³/₄ oz)

- SA-WCT780: 7.9 kg (17 lb 6⁵/₈ oz)

Wireless transmitter/receiver section

Speaker system

- Wireless Sound Specification version 2.0

Frequency band

- 2.4 GHz (2.4000 GHz - 2.4835 GHz)

Modulation method

- Pi / 4 DQPSK

Design and specifications are subject to change without notice.

On BLUETOOTH communication

- BLUETOOTH devices should be used within approximately 10 meters (33 feet) (unobstructed distance) of each other. The effective communication range may become shorter under the following conditions.
 - When a person, metal object, wall or other obstruction is between the devices with a BLUETOOTH connection
 - Locations where a wireless LAN is installed
 - Around microwave ovens that are in use
 - Locations where other electromagnetic waves occur
- BLUETOOTH devices and wireless LAN (IEEE 802.11b/g) use the same frequency band (2.4 GHz). When using your BLUETOOTH device near a device with wireless LAN capability, electromagnetic interference may occur. This could result in lower data transfer rates, noise, or inability to connect. If this happens, try the following remedies:
 - Use this system at least 10 meters (33 feet) away from the wireless LAN device.
 - Turn off the power to the wireless LAN device when using your BLUETOOTH device within 10 meters (33 feet).
 - Install this system and BLUETOOTH device as closer to each other as possible.
- The radio waves broadcast by this system may interfere with the operation of some medical devices. Since this interference may result in malfunction, always turn off the power

on this system and BLUETOOTH device in the following locations:

- In hospitals, on trains, in airplanes, at gas stations, and any place where flammable gasses may be present
 - Near automatic doors or fire alarms
- This system supports security functions that comply with the BLUETOOTH specification to ensure secure connection during communication using BLUETOOTH technology. However, this security may be insufficient depending on the setting contents and other factors, so always be careful when performing communication using BLUETOOTH technology.
 - Sony cannot be held liable in any way for damages or other loss resulting from information leaks during communication using BLUETOOTH technology.
 - BLUETOOTH communication is not necessarily guaranteed with all BLUETOOTH devices that have the same profile as this system.
 - BLUETOOTH devices connected with this system must comply with the BLUETOOTH specification prescribed by the Bluetooth SIG, Inc., and must be certified to comply. However, even when a device complies with the BLUETOOTH specification, there may be cases where the characteristics or specifications of the BLUETOOTH device make it impossible to connect, or may result in different control methods, display or operation.
 - Noise may occur or the audio may cut off depending on the BLUETOOTH device connected with this system, the communications environment, or surrounding conditions.

If you have any questions or problems concerning your system, please consult your nearest Sony dealer.

END USER LICENSE AGREEMENT

IMPORTANT:

BEFORE USING THE SOFTWARE, PLEASE READ THIS END USER LICENSE AGREEMENT ("EULA") CAREFULLY. BY USING THE SOFTWARE YOU ARE ACCEPTING THE TERMS OF THIS EULA. IF YOU DO NOT ACCEPT THE TERMS OF THIS EULA, YOU MAY NOT USE THE SOFTWARE.

This EULA is a legal agreement between you and Sony Corporation ("SONY"). This EULA governs your rights and obligations regarding the SONY software of SONY and/or its third party licensors (including SONY's affiliates) and their respective affiliates (collectively, the "THIRD-PARTY SUPPLIERS"), together with any updates/upgrades provided by SONY, any printed, on-line or other electronic documentation for such software, and any data files created by operation of such software (collectively, the "SOFTWARE").

Notwithstanding the foregoing, any software in the SOFTWARE having a separate end user license agreement (including, but not limited to, GNU General Public license and Lesser/Library General Public License) shall be covered by such applicable separate end user license agreement in lieu of the terms of this EULA to the extent required by such separate end user license agreement ("EXCLUDED SOFTWARE").

SOFTWARE LICENSE

The SOFTWARE is licensed, not sold. The SOFTWARE is protected by copyright and other intellectual property laws and international treaties.

COPYRIGHT

All right and title in and to the SOFTWARE (including, but not limited to, any images, photographs, animation, video, audio,

music, text and "applets" incorporated into the SOFTWARE) is owned by SONY or one or more of the THIRD-PARTY SUPPLIERS.

GRANT OF LICENSE

SONY grants you a limited license to use the SOFTWARE solely in connection with your compatible device ("DEVICE") and only for your individual, non-commercial use. SONY and the THIRD-PARTY SUPPLIERS expressly reserve all rights, title and interest (including, but not limited to, all intellectual property rights) in and to the SOFTWARE that this EULA does not specifically grant to you.

REQUIREMENTS AND LIMITATIONS

You may not copy, publish, adapt, redistribute, attempt to derive source code, modify, reverse engineer, decompile, or disassemble any of the SOFTWARE, whether in whole or in part, or create any derivative works from or of the SOFTWARE unless such derivative works are intentionally facilitated by the SOFTWARE. You may not modify or tamper with any digital rights management functionality of the SOFTWARE. You may not bypass, modify, defeat or circumvent any of the functions or protections of the SOFTWARE or any mechanisms operatively linked to the SOFTWARE. You may not separate any individual component of the SOFTWARE for use on more than one DEVICE unless expressly authorized to do so by SONY. You may not remove, alter, cover or deface any trademarks or notices on the SOFTWARE. You may not share, distribute, rent, lease, sublicense, assign, transfer or sell the SOFTWARE. The software, network services or other products other than SOFTWARE upon which the SOFTWARE'S performance depends might be interrupted or discontinued at the discretion of the suppliers (software suppliers, service suppliers, or SONY). SONY and such suppliers do not warrant that the SOFTWARE, network services, contents or other products will continue to be

available, or will operate without interruption or modification.

USE OF SOFTWARE WITH COPYRIGHTED MATERIALS

The SOFTWARE may be capable of being used by you to view, store, process and/or use content created by you and/or third parties. Such content may be protected by copyright, other intellectual property laws, and/or agreements. You agree to use the SOFTWARE only in compliance with all such laws and agreements that apply to such content. You acknowledge and agree that SONY may take appropriate measures to protect the copyright of content stored, processed or used by the SOFTWARE. Such measures include, but are not limited to, counting the frequency of your backup and restoration through certain SOFTWARE features, refusal to accept your request to enable restoration of data, and termination of this EULA in the event of your illegitimate use of the SOFTWARE.

CONTENT SERVICE

PLEASE ALSO NOTE THAT THE SOFTWARE MAY BE DESIGNED TO BE USED WITH CONTENT AVAILABLE THROUGH ONE OR MORE CONTENT SERVICES ("CONTENT SERVICE"). USE OF THE SERVICE AND THAT CONTENT IS SUBJECT TO THE TERMS OF SERVICE OF THAT CONTENT SERVICE. IF YOU DECLINE TO ACCEPT THOSE TERMS, YOUR USE OF THE SOFTWARE WILL BE LIMITED. You acknowledge and agree that certain content and services available through the SOFTWARE may be provided by third parties over which SONY has no control. USE OF THE CONTENT SERVICE REQUIRES AN INTERNET CONNECTION. THE CONTENT SERVICE MAY BE DISCONTINUED AT ANY TIME.

INTERNET CONNECTIVITY AND THIRD PARTY SERVICES

You acknowledge and agree that access to certain SOFTWARE features may require an Internet connection for which you are solely responsible. Further, you are solely

responsible for payment of any third party fees associated with your Internet connection, including but not limited to Internet service provider or airtime charges. Operation of the SOFTWARE may be limited or restricted depending on the capabilities, bandwidth or technical limitations of your Internet connection and service. The provision, quality and security of such Internet connectivity are the sole responsibility of the third party providing such service.

EXPORT AND OTHER REGULATIONS

You agree to comply with all applicable export and re-export restrictions and regulations of the area or country in which you reside, and not to transfer, or authorize the transfer, of the SOFTWARE to a prohibited country or otherwise in violation of any such restrictions or regulations.

HIGH RISK ACTIVITIES

The SOFTWARE is not fault-tolerant and is not designed, manufactured or intended for use or resale as on-line control equipment in hazardous environments requiring fail-safe performance, such as in the operation of nuclear facilities, aircraft navigation or communication systems, air traffic control, direct life support machines, or weapons systems, in which the failure of the SOFTWARE could lead to death, personal injury, or severe physical or environmental damage ("HIGH RISK ACTIVITIES"). SONY, each of the THIRD-PARTY SUPPLIERS, and each of their respective affiliates specifically disclaim any express or implied warranty, duty or condition of fitness for HIGH RISK ACTIVITIES.

EXCLUSION OF WARRANTY ON SOFTWARE

You acknowledge and agree that use of the SOFTWARE is at your sole risk and that you are responsible for use of the SOFTWARE. The SOFTWARE is provided "AS

IS," without warranty, duty or condition of any kind.

SONY AND EACH OF THE THIRD-PARTY SUPPLIERS (for purposes of this Section, SONY and each of the THIRD-PARTY SUPPLIERS shall be collectively referred to as "SONY") EXPRESSLY DISCLAIM ALL WARRANTIES, DUTIES OR CONDITIONS, EXPRESS OR IMPLIED, INCLUDING, BUT NOT LIMITED TO, THE IMPLIED WARRANTIES OF MERCHANTABILITY, NONINFRINGEMENT AND FITNESS FOR A PARTICULAR PURPOSE. SONY DOES NOT WARRANT OR MAKE ANY CONDITIONS OR REPRESENTATIONS (A) THAT THE FUNCTIONS CONTAINED IN ANY OF THE SOFTWARE WILL MEET YOUR REQUIREMENTS OR THAT THEY WILL BE UPDATED, (B) THAT THE OPERATION OF ANY OF THE SOFTWARE WILL BE CORRECT OR ERROR-FREE OR THAT ANY DEFECTS WILL BE CORRECTED, (C) THAT THE SOFTWARE WILL NOT DAMAGE ANY OTHER SOFTWARE, HARDWARE OR DATA, (D) THAT ANY SOFTWARE, NETWORK SERVICES (INCLUDING THE INTERNET) OR PRODUCTS (OTHER THAN THE SOFTWARE) UPON WHICH THE SOFTWARE'S PERFORMANCE DEPENDS WILL CONTINUE TO BE AVAILABLE, UNINTERRUPTED OR UNMODIFIED, AND (E) REGARDING THE USE OR THE RESULTS OF THE USE OF THE SOFTWARE IN TERMS OF ITS CORRECTNESS, ACCURACY, RELIABILITY, OR OTHERWISE.

NO ORAL OR WRITTEN INFORMATION OR ADVICE GIVEN BY SONY OR AN AUTHORIZED REPRESENTATIVE OF SONY SHALL CREATE A WARRANTY, DUTY OR CONDITION OR IN ANY WAY INCREASE THE SCOPE OF THIS WARRANTY. SHOULD THE SOFTWARE PROVE DEFECTIVE YOU ASSUME THE ENTIRE COST OF ALL NECESSARY SERVICING, REPAIR OR CORRECTION. SOME JURISDICTIONS DO NOT ALLOW THE EXCLUSION OF IMPLIED WARRANTIES, SO THESE EXCLUSIONS MAY NOT APPLY TO YOU.

LIMITATION OF LIABILITY

SONY AND EACH OF THE THIRD-PARTY SUPPLIERS (for purposes of this Section, SONY and each of the THIRD-PARTY SUPPLIERS shall be collectively referred to as "SONY") SHALL NOT BE LIABLE FOR ANY INCIDENTAL OR CONSEQUENTIAL DAMAGES FOR BREACH OF ANY EXPRESS OR IMPLIED WARRANTY, BREACH OF CONTRACT, NEGLIGENCE, STRICT LIABILITY OR UNDER ANY OTHER LEGAL THEORY RELATED TO THE SOFTWARE, INCLUDING, BUT NOT LIMITED TO, ANY DAMAGES ARISING OUT OF LOSS OF PROFITS, LOSS OF REVENUE, LOSS OF DATA, LOSS OF USE OF THE SOFTWARE OR ANY ASSOCIATED HARDWARE, DOWN TIME AND USER'S TIME, EVEN IF ANY OF THEM HAVE BEEN ADVISED OF THE POSSIBILITY OF SUCH DAMAGES. IN ANY CASE, EACH AND ALL OF THEIR AGGREGATE LIABILITY UNDER ANY PROVISION OF THIS EULA SHALL BE LIMITED TO THE AMOUNT ACTUALLY PAID FOR THE PRODUCT. SOME JURISDICTIONS DO NOT ALLOW THE EXCLUSION OR LIMITATION OF INCIDENTAL OR CONSEQUENTIAL DAMAGES, SO THE ABOVE EXCLUSION OR LIMITATION MAY NOT APPLY TO YOU.

AUTOMATIC UPDATE FEATURE

From time to time, SONY or the THIRD-PARTY SUPPLIERS may automatically update or otherwise modify the SOFTWARE, including, but not limited to, for purposes of enhancement of security functions, error correction and improvement of functions, at such time as you interact with SONY's or third parties' servers, or otherwise. Such updates or modifications may delete or change the nature of features or other aspects of the SOFTWARE, including, but not limited to, functions you may rely upon. You acknowledge and agree that such activities may occur at SONY's sole discretion and that SONY may condition continued use of the SOFTWARE upon your complete installation or acceptance of such update or modifications. Any updates/ modifications shall be deemed to be, and

shall constitute part of, the SOFTWARE for purposes of this EULA. By acceptance of this EULA, you consent to such update/modification.

ENTIRE AGREEMENT, WAIVER, SEVERABILITY

This EULA and SONY's privacy policy, each as amended and modified from time to time, together constitute the entire agreement between you and SONY with respect to the SOFTWARE. The failure of SONY to exercise or enforce any right or provision of this EULA shall not constitute a waiver of such right or provision. If any part of this EULA is held invalid, illegal, or unenforceable, that provision shall be enforced to the maximum extent permissible so as to maintain the intent of this EULA, and the other parts will remain in full force and effect.

GOVERNING LAW AND JURISDICTION

The United Nations Convention on Contracts for the International Sale of Goods shall not apply to this EULA. This EULA shall be governed by the laws of Japan, without regards to conflict of laws provisions. Any dispute arising out of this EULA shall be subject to the exclusive venue of the Tokyo District Court in Japan, and the parties hereby consent to the venue and jurisdiction of such courts.

EQUITABLE REMEDIES

Notwithstanding anything contained in this EULA to the contrary, you acknowledge and agree that any violation of or non-compliance with this EULA by you will cause irreparable harm to SONY, for which monetary damages would be inadequate, and you consent to SONY obtaining any injunctive or equitable relief that SONY deems necessary or appropriate in such circumstances. SONY may also take any legal and technical remedies to prevent violation of and/or to enforce this EULA, including, but not limited to, immediate termination of your use of the

SOFTWARE, if SONY believes in its sole discretion that you are violating or intend to violate this EULA. These remedies are in addition to any other remedies SONY may have at law, in equity or under contract.

TERMINATION

Without prejudice to any of its other rights, SONY may terminate this EULA if you fail to comply with any of its terms. In case of such termination, you must cease all use, and destroy any copies, of the SOFTWARE.

AMENDMENT

SONY RESERVES THE RIGHT TO AMEND ANY OF THE TERMS OF THIS EULA AT ITS SOLE DISCRETION BY POSTING NOTICE ON A SONY DESIGNATED WEB SITE, BY EMAIL NOTIFICATION TO AN EMAIL ADDRESS PROVIDED BY YOU, BY PROVIDING NOTICE AS PART OF THE PROCESS IN WHICH YOU OBTAIN UPGRADES/UPDATES OR BY ANY OTHER LEGALLY RECOGNIZABLE FORM OF NOTICE. If you do not agree to the amendment, you should promptly contact SONY for instructions. Your continued use of the SOFTWARE after the effective date of any such notice shall be deemed your agreement to be bound by such amendment.

THIRD-PARTY BENEFICIARIES

Each THIRD-PARTY SUPPLIER is an express intended third-party beneficiary of, and shall have the right to enforce, each provision of this EULA with respect to the SOFTWARE of such party.

Should you have any questions concerning this EULA, you may contact SONY by writing to SONY at applicable contact address of each area or country.

Copyright © 2014 Sony Corporation.

Enregistrement du propriétaire

Le modèle et le numéro de série sont situés sous la barre de haut-parleurs. Notez le numéro de série dans l'espace ci-dessous. Vous devrez vous y référer lors d'un appel à votre revendeur Sony au sujet de ce produit.

N° de modèle HT-CT380/CT780 _____

N° de série _____

AVERTISSEMENT

Pour réduire les risques d'incendie ou d'électrocution, gardez cet appareil à l'abri de la pluie et de l'humidité.

L'appareil n'est pas débranché du secteur aussi longtemps qu'il est raccordé à la prise secteur, même s'il s'éteint automatiquement.

Pour réduire le risque d'incendie, n'obstruez pas l'orifice de ventilation de l'appareil avec un journal, une nappe, une tenture, etc.
N'exposez pas l'appareil à une source de flamme nue (par exemple, une bougie allumée).

Pour réduire le risque d'incendie ou d'électrocution, n'exposez pas cet appareil à des éclaboussures ou des gouttes d'eau et ne posez pas dessus des objets remplis de liquides, notamment des vases.

La fiche principale étant utilisée pour déconnecter l'unité de l'alimentation secteur, connectez l'unité à une prise secteur aisément accessible. Si vous remarquez une anomalie dans l'appareil, débranchez immédiatement la fiche principale de la prise secteur.

N'installez pas cet appareil dans un endroit confiné, comme sur une étagère ou un meuble TV intégré.

N'exposez pas les piles ou un appareil contenant des piles à une chaleur excessive, notamment aux rayons directs du soleil ou à des flammes.

Utilisation à l'intérieur seulement.

Pour la barre de haut-parleurs

La plaque signalétique et la date de fabrication sont situées sous la barre.

Pour les clients aux États-Unis



Le marquage Attention est situé sous le boîtier (pour la barre de haut-parleurs).



Ce symbole est destiné à renseigner l'utilisateur sur la présence à l'intérieur du boîtier de l'appareil d'une « tension dangereuse » non isolée et suffisamment puissante pour présenter un risque d'électrocution.



Ce symbole est destiné à renseigner l'utilisateur sur la présence d'importantes instructions d'utilisation et d'entretien (service) dans les documents qui accompagnent l'appareil.

Consignes de sécurité importantes

- 1) Lisez ces instructions.
- 2) Conservez ces instructions.
- 3) Respectez tous les avertissements.
- 4) Respectez toutes les instructions.
- 5) N'utilisez pas cet appareil à proximité de l'eau.
- 6) Nettoyez-le uniquement avec un chiffon sec.
- 7) N'obstruez pas les orifices de ventilation. Installez l'appareil conformément aux instructions du fabricant.

- 8) N'installez pas l'appareil à proximité des sources de chaleur telles que les radiateurs, les registres de chaleur, les poêles ou autres appareils (y compris les amplificateurs) produisant de la chaleur.
- 9) N'altérez pas le dispositif de sécurité de la fiche polarisée ou mise à la terre. Une fiche polarisée compte deux lames de largeur différente. Une fiche de type mise à la terre possède deux lames et une broche de mise à la terre. La lame la plus large ou la troisième broche assure une fonction de sécurité. Si la fiche fournie d'origine ne s'adapte pas à votre prise, faites remplacer la prise obsolète par un électricien.
- 10) Protégez le cordon d'alimentation des lieux de passage ou des points de pincement, en particulier au niveau des fiches, des prises de courant et de sa sortie de l'appareil.
- 11) Utilisez uniquement des accessoires spécifiés par le fabricant.
- 12) Utilisez uniquement l'appareil avec le chariot, socle, trépied, support ou table spécifié par le fabricant ou vendu avec l'appareil. Si vous utilisez un chariot, soyez prudent lorsque vous le déplacez avec l'appareil afin d'éviter toute chute susceptible de provoquer des blessures.



- 13) Débranchez cet appareil en cas d'orage ou d'inutilisation prolongée.
- 14) Confiez toutes les réparations à du personnel de service qualifié. L'appareil doit être réparé en cas de dommage quelconque, notamment lorsque le cordon d'alimentation ou sa fiche est endommagé, du liquide ou un objet a pénétré à l'intérieur de l'appareil, l'appareil a été exposé à la pluie ou à l'humidité, l'appareil ne

fonctionne pas normalement ou est tombé.

La déclaration de la FCC suivante s'applique uniquement à la version de ce modèle fabriquée pour la vente aux Etats-Unis. Il se peut que les autres versions ne soient pas conformes aux réglementations techniques de la FCC.

REMARQUE :

Cet appareil a été testé et s'est révélé conforme aux limites des appareils numériques de Classe B, conformément à l'alinéa 15 de la réglementation FCC. Ces limites sont conçues pour assurer une protection raisonnable contre les interférences nuisibles dans une installation résidentielle. Cet appareil génère, utilise et peut rayonner de l'énergie de fréquence radio qui, en cas d'installation et d'utilisation non conformes aux instructions, peut engendrer des interférences nuisibles avec les communications radio. Il n'est toutefois pas garanti qu'aucune interférence ne surviendra dans une installation particulière. Si cet appareil altère effectivement la réception radio ou télévisée, ce qui peut être déterminé en le mettant hors tension, puis à nouveau sous tension, nous vous encourageons à essayer de remédier à la situation en prenant une ou plusieurs mesures ci-après :

- Réorientez ou repositionnez l'antenne de réception.
- Augmentez la distance qui sépare l'appareil du récepteur.
- Raccordez l'appareil à la prise d'un circuit différent de celui auquel le récepteur est raccordé.
- Sollicitez l'aide de votre revendeur ou d'un technicien en radio/télévision expérimenté.

Des câbles et connecteurs correctement blindés et mis à la terre doivent être utilisés pour le raccordement à des

ordinateurs hôtes ou des périphériques afin de satisfaire aux limites d'émission du FCC.

ATTENTION

Vous êtes prévenu que toute modification ou changement non expressément approuvé dans ce manuel peut annuler votre autorisation à utiliser cet appareil.

Cet appareil ne doit pas se trouver à proximité d'un autre émetteur ou d'une autre antenne, ou encore être utilisé en même temps que ceux-ci.

Cet appareil est conforme aux limites d'exposition au rayonnement de la FCC déterminées pour un environnement incontrôlé et répond aux recommandations d'exposition de la radiofréquence (RF) de la FCC. Cet équipement présente des niveaux d'énergie RF très bas considérés comme conformes et ne nécessite pas d'évaluation d'exposition maximale admise (MPE). Il est toutefois souhaitable de l'installer et de l'utiliser en laissant l'appareil rayonnant à une distance d'au moins 20cm de votre corps (sans compter les extrémités : mains, poignets, pieds et chevilles).

Pour les clients au Canada

Il est impératif d'utiliser des câbles et des connecteurs correctement blindés et mis à la terre pour la connexion à des ordinateurs hôtes et/ou aux périphériques.

Le présent appareil est conforme aux CNR d'Industrie Canada applicable aux appareils radio exempts de licence. L'exploitation est autorisée aux deux conditions suivantes :

- 1) l'appareil ne doit pas produire de brouillage;
- 2) l'utilisateur de l'appareil doit accepter tout brouillage radioélectrique subi,

même si le brouillage est susceptible d'en compromettre le fonctionnement.

Cet appareil est conforme aux limites d'exposition au rayonnement d'IC déterminées pour un environnement incontrôlé et correspond aux règles d'exposition RSS-102 de la radiofréquence (RF) d'IC.

Cet équipement présente des niveaux d'énergie RF très bas considérés comme conformes et ne nécessite pas d'évaluation d'exposition maximale admise (MPE). Il est toutefois souhaitable de l'installer et de l'utiliser en laissant l'appareil rayonnant à une distance d'au moins 20cm de votre corps (sans compter les extrémités : mains, poignets, pieds et chevilles).

Droits d'auteur et marques commerciales

Ce système intègre les technologies Dolby* Digital et DTS** Digital Surround System.

* Fabriqué sous licence de Dolby Laboratories.

Dolby et le symbole double-D sont des marques commerciales de Dolby Laboratories.

** Pour les brevets DTS, voir <http://patents.dts.com>. Fabriqué sous licence de DTS Licensing Limited. DTS, DTS-HD, le symbole, & DTS et le symbole sont des marques déposées de DTS, Inc. © DTS, Inc. Tous droits réservés.

Le terme et les logos BLUETOOTH® sont des marques déposées appartenant à Bluetooth SIG, Inc. et tout usage de ces marques par Sony Corporation s'inscrit dans le cadre d'une licence.

Ce système intègre la technologie High-Definition Multimedia Interface (HDMI™).

Les termes HDMI et HDMI High-Definition Multimedia Interface, et le logo HDMI sont des marques commerciales ou des marques déposées de HDMI Licensing LLC aux États-Unis et dans d'autres pays.

N Mark est une marque commerciale ou une marque déposée de NFC Forum, Inc. aux États-Unis et dans d'autres pays.

Android™ et Google Play™ sont des marques commerciales de Google Inc.

Apple, le logo Apple, iPhone, iPod et iPod touch sont des marques commerciales d'Apple Inc., déposées aux États-Unis et dans d'autres pays. App Store est une marque de service d'Apple Inc.



« Made for iPod » et « Made for iPhone » signifient qu'un accessoire électronique a été conçu spécifiquement pour se connecter à un iPod ou un iPhone, respectivement, et que le développeur certifie qu'il répond aux normes de performance d'Apple. Apple n'est pas responsable du fonctionnement de cet appareil ou de sa conformité avec les normes de sécurité et de réglementation. Notez que l'utilisation de cet accessoire avec un iPod ou un iPhone peut affecter les performances sans fil.

Conçu pour des modèles d'iPod/iPhone

Les modèles d'iPod/iPhone compatibles sont les suivants. Mettez à jour votre iPod/iPhone avec le dernier logiciel avant de l'utiliser avec le système.

La technologie BLUETOOTH fonctionne avec :

iPhone 6 Plus/iPhone 6/iPhone 5s/
iPhone 5c/iPhone 5/iPhone 4s/
iPhone 4/iPhone 3GS
iPod touch (5e génération)/iPod touch (4e génération)

Le logo « BRAVIA » est une marque commerciale de Sony Corporation.

« DSEE » est une marque commerciale de Sony Corporation.

« ClearAudio+ » est une marque commerciale de Sony Corporation.

« x.v.Color » et le logo « x.v.Color » sont des marques commerciales de Sony Corporation.

« PlayStation® » est une marque déposée de Sony Computer Entertainment Inc.

Les autres marques commerciales et noms commerciaux appartiennent à leurs propriétaires respectifs.

À propos de ce manuel d'instructions

- Les instructions contenues dans ce manuel d'instructions décrivent les commandes de la télécommande. Vous pouvez également utiliser les commandes sur l'unité principale si elles portent le même nom ou un nom similaire à celles de la télécommande.
- Certaines illustrations sont présentées comme des dessins conceptuels et peuvent différer des produits réels.

Table des matières

Branchement → Manuel de démarrage (document séparé)

À propos de ce manuel d'instructions	6	Utilisation des fonctions « BRAVIA » Sync	20
Écoute		Réglage de la fonction de contrôle parental	21
Écoute de son sur un téléviseur, un lecteur Blu-ray Disc™, un décodeur câble, un récepteur satellite, etc.	8	Économie d'énergie en mode veille	21
Écoute de musique depuis un dispositif BLUETOOTH	8	Installation de la barre de haut-parleurs sur un mur	22
Réglage du son		Installation à l'horizontale du caisson de graves (HT-CT380 uniquement)	24
Effets sonores (mode Sports, etc.)	11	Liaison du système (Lien vers le caisson de graves)	24
Fonctions BLUETOOTH		Informations supplémentaires	
Contrôle du système à l'aide d'un smartphone ou d'une tablette (SongPal)	12	Précautions	25
Affichage du contenu 4K protégé par droit d'auteur (HT-CT780 uniquement)		Dépannage	26
Branchement à un téléviseur 4K et à des appareils 4K	14	Guide des pièces et des commandes	32
Réglages et ajustements		Formats audio pris en charge	36
Utilisation de l'écran de configuration	16	Caractéristiques	38
Autres fonctions		À propos de la communication BLUETOOTH	41
Réglage de la fonction Commande pour HDMI	19	CONTRAT DE LICENCE UTILISATEUR FINAL	42

Écoute

Écoute de son sur un téléviseur, un lecteur Blu-ray Disc™, un décodeur câble, un récepteur satellite, etc.

Appuyez plusieurs fois sur INPUT.

Lorsque vous appuyez une fois sur INPUT, l'appareil actuel apparaît sur l'écran avant puis, à chaque nouvelle pression sur INPUT, l'appareil change selon le cycle suivant.

[TV] → [HDMI 1] → [HDMI 2] → [HDMI 3] → [ANALOG] → [BT]

[TV]

Appareil numérique branché à la prise DIGITAL IN (TV) ou téléviseur compatible avec la fonction du canal de retour audio branché à la prise HDMI OUT (ARC)

[HDMI 1] [HDMI 2] [HDMI 3]

Lecteur Blu-ray Disc, etc. branché à la prise HDMI IN 1, 2 ou 3

[ANALOG]

Dispositif analogique branché à la prise ANALOG IN

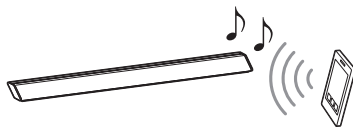
[BT]

Dispositif BLUETOOTH prenant en charge A2DP

Conseil

- Si les fonctions BLUETOOTH sont désactivées, [BT OFF] apparaît au lieu de [BT].

Écoute de musique depuis un dispositif BLUETOOTH



Appairage de ce système avec un dispositif BLUETOOTH

L'appairage est le processus requis pour créer un lien entre des dispositifs BLUETOOTH afin d'établir une connexion sans fil. Vous devez appairier un dispositif avec le système avant de commencer à utiliser ce dernier. Une fois les dispositifs BLUETOOTH appariés, il n'est plus nécessaire de les appairier de nouveau.

1 Appuyez sur PAIRING sur le système.

Le témoin BLUETOOTH (bleu) clignote rapidement pendant l'appairage BLUETOOTH.

2 Activez la fonction BLUETOOTH sur le dispositif BLUETOOTH, recherchez les dispositifs et sélectionnez ce système (HT-CT380 ou HT-CT780).

Si un « Passkey » est demandé, entrez « 0000 ».

3 Vérifiez que le témoin BLUETOOTH (bleu) s'allume.

La connexion a été établie.

Remarque

- Vous pouvez appairer 9 dispositifs BLUETOOTH au maximum. Si le 10ème dispositif BLUETOOTH est apparié, le dispositif connecté le moins récemment sera remplacé par le nouveau.

Conseil

- Une fois que la connexion BLUETOOTH est établie, une indication recommandant l'application à télécharger s'affiche, en fonction de l'appareil que vous avez raccordé. En suivant les instructions affichées, vous pouvez télécharger une application appelée « SongPal », qui vous permet de faire fonctionner ce système. Consultez « Contrôle du système à l'aide d'un smartphone ou d'une tablette (SongPal) » (page 12).

Écoute de musique du dispositif enregistré

- 1 Appuyez plusieurs fois sur INPUT pour afficher [BT].**
Le témoin BLUETOOTH (bleu) clignote pendant la tentative d'appairage BLUETOOTH.
- 2 Sur le dispositif BLUETOOTH, sélectionnez ce système (HT-CT380 ou HT-CT780).**
- 3 Vérifiez que le témoin BLUETOOTH (bleu) s'allume.**
- 4 Démarrez la lecture sur le dispositif BLUETOOTH.**

Connexion d'un dispositif BLUETOOTH avec les fonctions une touche (NFC)

En maintenant un périphérique distant compatible NFC près de la marque N sur le système, le système et le périphérique distant procèdent à l'appairage et à la connexion BLUETOOTH automatiquement.

Périphériques distants compatibles

Périphériques distants avec une fonction NFC intégrée
(SE : Android 2.3.3 ou versions ultérieures, sauf Android 3.x)

- 1 Téléchargez, installez et démarrez l'application Connexion NFC facile.**

**Remarque**

- L'application peut être indisponible dans certains pays/régions.
- 2 Maintenez le périphérique distant près de la marque N sur le système jusqu'à ce que le périphérique distant vibre.**



- 3 Vérifiez que le témoin BLUETOOTH (bleu) s'allume.**
La connexion a été établie.

Remarques

- Vous ne pouvez connecter qu'un dispositif à la fois.
- En fonction du smartphone, il vous faudra peut-être activer la fonction NFC au préalable. Reportez-vous au manuel d'instructions du smartphone.

Conseil

- Si l'appairage et la connexion BLUETOOTH échouent, procédez comme suit.
 - Relancez « Connexion NFC facile » et passez lentement le périphérique distant sur la marque N.
 - Retirez le boîtier du périphérique distant si vous utilisez un étui en vente dans le commerce.

Réglage du son

Effets sonores (mode Sports, etc.)

Vous pouvez facilement profiter de champs acoustiques préprogrammés adaptés à différentes sortes de sources audio.

Sélection du champ acoustique

Appuyez plusieurs fois sur SOUND FIELD jusqu'à ce que le champ acoustique de votre choix apparaisse sur l'écran du panneau avant.

[CLEARAUDIO+]

Le réglage sonore adapté est sélectionné automatiquement pour la source sonore.

[STANDARD]

Correspond à chaque source.

[MOVIE]

Les sons sont lus avec des effets surround. Ils sont réalistes et puissants, ils sont donc parfaitement adaptés aux films.

[SPORTS]

Les commentaires sont nets, les acclamations du public sont entendues en son surround et les sons sont réalistes.

[GAME]

Les sons sont puissants et réalistes, adaptés aux jeux vidéo.

[MUSIC]

Les sons sont lus pour s'adapter aux programmes musicaux, aux disques Blu-ray Disc ou aux DVD musicaux.

[P.AUDIO (Audio portable)]

Les sons sont lus pour s'adapter à un lecteur audio portable utilisant la technologie DSEE*.

* DSEE signifie Digital Sound Enhancement Engine, une technologie de compensation de gamme haute et de

restauration sonore fine développée indépendamment par Sony.

Réglage du mode Nuit

Les sons sont lus améliorés avec des effets sonores et des dialogues clairs.

Appuyez sur NIGHT pour afficher [N. ON].

Pour désactiver le mode Nuit, appuyez sur NIGHT pour afficher [N. OFF].

Réglage du mode Voix

Le mode Voix rend les dialogues plus clairs.

Appuyez plusieurs fois sur VOICE pour afficher le type de votre choix.

[TYPE 1]

La plage de dialogue est émise directement.

[TYPE 2]

La plage de dialogue est accentuée.

[TYPE 3]

La plage de dialogue est rehaussée et, dans les aigus, les parties avec un volume sonore difficilement perçues par les personnes âgées sont accrues.

Fonctions BLUETOOTH

Contrôle du système à l'aide d'un smartphone ou d'une tablette (SongPal)

« SongPal » est l'application qui vous permet de faire fonctionner le système avec votre smartphone ou tablette, etc. « SongPal » est disponible depuis Google Play ou App Store. Cette fonction est activée en réglant [BT PWR] sur [ON] (page 17). Le réglage par défaut est [ON].

Utilisation d'un appareil Android

- 1 Appuyez sur I/⏻ (marche/arrêt) sur la télécommande.**
L'écran de la barre de haut-parleurs s'allume.
- 2 Recherchez « SongPal » avec l'appareil Android et téléchargez cette application.**
- 3 Exécutez « SongPal » et suivez les instructions à l'écran.**

Conseil

- Si l'écran de la connexion NFC apparaît, voir « Connexion une touche à l'aide de l'appareil Android avec la fonction NFC intégrée (NFC) ».

- 4 Lorsque l'écran de connexion BLUETOOTH apparaît sur l'appareil Android, appuyez sur PAIRING.**

Le témoin BLUETOOTH (bleu) clignote rapidement pendant l'appairage BLUETOOTH.

- 5 Sélectionnez ce système (HT-CT380 ou HT-CT780) dans la liste d'appareils BLUETOOTH de l'appareil Android.**
Une fois la connexion établie, le témoin BLUETOOTH (bleu) s'allume.
- 6 Faites fonctionner le système avec l'écran de l'appareil Android connecté.**

Connexion une touche à l'aide de l'appareil Android avec la fonction NFC intégrée (NFC)

- 1 Effectuez les étapes 1 à 3 de la section « Utilisation d'un appareil Android ».**
- 2 Une fois que l'écran de connexion BLUETOOTH apparaît sur l'appareil Android, mettez l'appareil Android au contact de la barre de haut-parleurs sur la marque N.**
Une fois la connexion établie, le témoin BLUETOOTH (bleu) s'allume.
- 3 Faites fonctionner le système avec l'écran de l'appareil Android.**

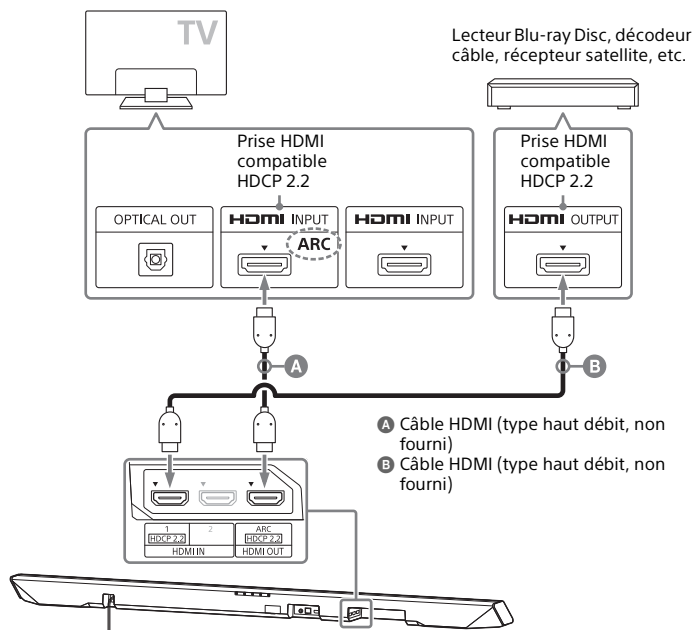
Utilisation d'un iPhone/iPod touch

- 1 Appuyez sur I/⏻ (marche/arrêt) sur la télécommande.**
L'écran de la barre de haut-parleurs s'allume.
- 2 Appuyez sur PAIRING.**
Le témoin BLUETOOTH (bleu) clignote rapidement pendant l'appairage BLUETOOTH.
- 3 Réglez l'iPhone/iPod touch sur le mode d'appairage et sélectionnez ce système (HT-CT380 ou HT-CT780) dans la liste d'appareils BLUETOOTH sur l'iPhone/iPod touch.**
Une fois la connexion établie, le témoin BLUETOOTH (bleu) de la barre de haut-parleurs s'allume.
- 4 Recherchez « SongPal » avec l'iPhone/iPod touch connecté et téléchargez cette application.**
- 5 Exécutez « SongPal » et faites fonctionner le système avec l'écran de l'iPhone/iPod touch.**

Branchement à un téléviseur 4K et à des appareils 4K

Pour voir le contenu 4K protégé par droit d'auteur, branchez les appareils sur une prise HDMI compatible HDCP 2.2 à chaque extrémité. Le contenu 4K protégé par droit d'auteur peut être affiché uniquement par une connexion sur des prises HDMI compatibles HDCP 2.2. Consultez le manuel d'instructions du téléviseur pour savoir si la prise HDMI du téléviseur est compatible HDCP 2.2.

Lorsque la prise HDMI du téléviseur est compatible HDCP 2.2 et porte l'étiquette ARC

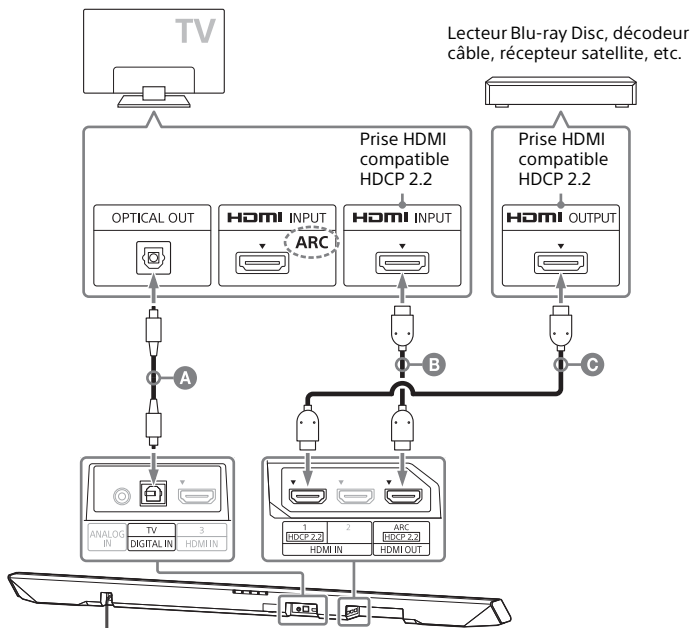


Conseils

- La prise HDMI 1 INPUT de la barre de haut-parleurs est compatible HDCP 2.2.
- La fonction ARC (canal de retour audio) envoie le son numérique depuis le téléviseur vers ce système ou un amplificateur AV simplement via un câble HDMI.

Lorsque la prise HDMI du téléviseur est compatible HDCP 2.2 mais ne porte pas d'étiquette ARC

Branchez le câble numérique optique à la prise de sortie optique du téléviseur et un câble HDMI à la prise d'entrée HDMI compatible HDCP 2.2.



- A Câble numérique optique (fourni)
- B Câble HDMI (type haut débit, non fourni)
- C Câble HDMI (type haut débit, non fourni)

Conseil

- La prise HDMI 1 INPUT de la barre de haut-parleurs est compatible HDCP 2.2.

Utilisation de l'écran de configuration

Vous pouvez régler les éléments suivants avec le menu.

Vos réglages sont gardés en mémoire, même si vous débranchez le cordon d'alimentation.

- 1 Appuyez sur **MENU** pour activer le menu sur l'écran du panneau avant.
- 2 Appuyez plusieurs fois sur **BACK/▲ ▼** (sélection)/**ENTER** pour sélectionner l'élément et appuyez sur **ENTER** pour choisir le réglage.
- 3 Appuyez sur **MENU** désactiver le menu.

Liste de menus

Les réglages par défaut sont soulignés.

Éléments de menu	Fonction
[LEVEL] (Niveau)	[DRC] (Commande de portée dynamique) <ul style="list-style-type: none">• Utile pour regarder les films à un volume sonore faible. DRC s'applique aux sources Dolby Digital.• [ON] : compresse le son en fonction des informations présentes dans le contenu.• [AUTO] : compresse automatiquement le son encodé en Dolby TrueHD.• [OFF] : le son n'est pas compressé.
[TONE] (Tonalité)	[BASS] (Grave) <ul style="list-style-type: none">• Ajuste le niveau des graves.• Les paramètres vont de [-6] à [+6] par incrément de 1.
	[TREBLE] (Aigu) <ul style="list-style-type: none">• Ajuste le niveau des aigus.• Les paramètres vont de [-6] à [+6] par incrément de 1.
[AUDIO] (Audio)	[SYNC] (sync AV) <ul style="list-style-type: none">• Vous pouvez régler le son lorsque l'image et le son ne sont pas synchronisés.• [ON] : active la fonction AV Sync.• [OFF] : désactive la fonction AV Sync.
	[DUAL] (Dual mono) <ul style="list-style-type: none">• Vous pouvez profiter de son multiplexé lorsque le système reçoit un signal Dolby Digital multiplexé.• [M/S] : le son principal est émis par le haut-parleur gauche et le son secondaire par le haut-parleur droit.• [MAIN] : émet uniquement le canal principal.• [SUB] : émet uniquement le canal secondaire.

Éléments de menu		Fonction
[AUDIO] (Audio)	[EFFECT] (Effet sonore)	<ul style="list-style-type: none"> • [ON] : le son du champ acoustique sélectionné est lu. L'utilisation de ce réglage est recommandée. • [OFF] : le mixage de la source d'entrée est réduit pour 2 canaux. <p>Remarque</p> <ul style="list-style-type: none"> • Même si [EFFECT] est réglé sur [OFF], [EFFECT] est automatiquement réglé sur [ON] lorsque vous changez le réglage du champ acoustique.
	[STREAM] (Flux)	Affiche les informations du flux audio. Voir la page 37 sur les formats audio pris en charge.
[HDMI]	[CTRL] (Commande pour HDMI)	<ul style="list-style-type: none"> • [ON] : active la fonction Commande pour HDMI. • [OFF] : désactive la fonction. Sélectionnez ce réglage lorsque vous voulez connecter un appareil non compatible avec la fonction Commande pour HDMI.
	[S. THRU] (Transmission)	<p>Vous pouvez régler le mode d'économie d'énergie de la fonction de transmission HDMI.</p> <ul style="list-style-type: none"> • [AUTO] : émet les signaux provenant de la prise HDMI OUT du système en mode veille en fonction de l'état du téléviseur. Ce réglage permet d'économiser de l'énergie en mode veille par rapport au réglage [ON]. • [ON] : émet toujours les signaux provenant de la prise HDMI OUT en mode veille. Si un autre téléviseur non « BRAVIA » est raccordé, utilisez le système avec le réglage [ON]. <p>Remarque</p> <ul style="list-style-type: none"> • Cet élément apparaît uniquement lorsque [CTRL] est réglé sur [ON].
	[ARC] (Canal de retour audio)	<p>Réglez cet élément pour écouter le son numérique d'un téléviseur compatible avec la technologie du canal de retour audio (ARC) raccordé via un câble HDMI haut débit.</p> <ul style="list-style-type: none"> • [ON] : active la fonction ARC. • [OFF] : désactive la fonction ARC. <p>Remarque</p> <ul style="list-style-type: none"> • Cet élément apparaît uniquement lorsque [CTRL] est réglé sur [ON].
[SET BT] (Régler BLUETOOTH)	[BT PWR] (Activation BLUETOOTH)	<p>Active ou désactive la fonction BLUETOOTH de ce système.</p> <ul style="list-style-type: none"> • [ON] : active la fonction BLUETOOTH. • [OFF] : désactive la fonction BLUETOOTH. <p>Remarque</p> <ul style="list-style-type: none"> • Si vous changez le réglage sur [OFF], la fonction BLUETOOTH est désactivée.
	[BT.STBY] (Veille BLUETOOTH)	<p>Lorsque le système dispose d'informations d'appairage, le système est en mode veille BLUETOOTH même lorsqu'il est hors tension.</p> <ul style="list-style-type: none"> • [ON] : le mode veille BLUETOOTH est activé. • [OFF] : le mode veille BLUETOOTH est désactivé. <p>Remarque</p> <ul style="list-style-type: none"> • Si le système ne contient pas d'informations d'appairage, le mode veille BLUETOOTH ne peut pas être réglé.

Éléments de menu		Fonction
[SET BT] (Régler BLUETOOTH)	[AAC] (Codage audio avancé)	Vous pouvez définir si le système utilise AAC par BLUETOOTH ou non. <ul style="list-style-type: none"> • [ON] : le système utilise AAC via BLUETOOTH. • [OFF] : le système ne l'utilise pas. <p>Remarque</p> <ul style="list-style-type: none"> • Si vous modifiez le réglage lorsque le système est connecté à un dispositif BLUETOOTH, le système sera déconnecté du dispositif.
[SYSTEM] (Système)	[A. STBY] (Veille auto)	Vous pouvez réduire la consommation d'énergie. Le système entre en mode veille automatiquement lorsque vous n'utilisez pas le système pendant environ 20 minutes et que le système ne reçoit aucun signal d'entrée. <ul style="list-style-type: none"> • [ON] : active la fonction de veille automatique. • [OFF] : désactive la fonction.
	[VER] (Version)	Les informations de version du micrologiciel apparaissent sur l'écran du panneau avant.
	[SYS.RST] (Réinitialisation du système)	Vous pouvez réinitialiser les menus et les réglages (champs acoustiques, etc.) du système sur l'état initial lorsqu'il ne fonctionne pas correctement (page 31).
	[UPDATE]* (Mise à jour)	Les mises à jour seront annoncées sur le site Web de Sony. Mettez à jour le système en suivant les instructions sur le site Web.
[WS] (Son sans fil)	[LINK]	Vous pouvez lier de nouveau le système audio sans fil (page 24).
	[RF CHK] (Vérification RF)	Vous pouvez vérifier si le système audio sans fil du système peut communiquer ou non. <ul style="list-style-type: none"> • [OK] : le système audio sans fil fonctionne. • [NG] : le système audio sans fil ne fonctionne pas.

* HT-CT780 uniquement

Réglage de la fonction Commande pour HDMI

En utilisant la fonction Commande pour HDMI et en connectant un appareil compatible avec la fonction Commande pour HDMI via un câble HDMI (haut débit), le fonctionnement est simplifié pour les fonctions indiquées ci-dessous. La fonction Commande pour HDMI est activée en réglant [CTRL (Commande pour HDMI)] sur [ON] (page 17). Le réglage par défaut est [ON].

Commande pour HDMI est une norme de fonction de commande mutuelle utilisée par HDMI CEC (Consumer Electronics Control) pour HDMI (High-Definition Multimedia Interface).

Mise hors tension du système

Lorsque vous mettez le téléviseur hors tension, le système et l'appareil raccordé sont mis hors tension automatiquement.

Commande du son du système

Si vous mettez le système sous tension pendant que vous regardez le téléviseur, le son du téléviseur est émis par les haut-parleurs du système. Le volume du système est réglé lorsque vous réglez le volume à l'aide de la télécommande du téléviseur.

Si le son du téléviseur était émis par les haut-parleurs du système la dernière fois que vous avez regardé le téléviseur, le système s'allume automatiquement lors de la mise sous tension du téléviseur.

Canal de retour audio (ARC)

Si le téléviseur est compatible avec la technologie du canal de retour audio (ARC), une connexion par câble HDMI vous permet d'écouter le son du téléviseur via les haut-parleurs du système.

La fonction ARC est activée en réglant [ARC (Canal de retour audio)] sur [ON] (page 17). Le réglage par défaut est [ON].

Lecture une seule touche

Lorsque vous activez l'appareil (lecteur Blu-ray Disc, « PlayStation®4 », etc.) connecté au système avec un câble HDMI haut débit, le téléviseur connecté est automatiquement mis sous tension et le signal d'entrée du système passe sur l'entrée HDMI appropriée.

Contrôle de cinéma maison

Si un téléviseur compatible avec le contrôle de cinéma maison est connecté au système, le menu du système apparaît sur le téléviseur connecté. Vous pouvez changer l'entrée du système ou changer de champs acoustiques à l'aide de la télécommande du téléviseur. Vous pouvez également ajuster les réglages du niveau des voix, le volume du caisson de graves, les aigus, les graves, le mode nuit, Dual Mono ou AV Sync. Votre téléviseur doit pouvoir accéder à un service à large bande pour utiliser la fonction Contrôle de cinéma maison.

Remarques

- Les fonctionnalités ci-dessus peuvent ne pas fonctionner avec certains dispositifs.
- En fonction des paramètres du dispositif raccordé, la fonction Commande pour HDMI peut ne pas fonctionner correctement. Reportez-vous au manuel d'instructions du dispositif.

Utilisation des fonctions « BRAVIA » Sync

Les fonctions Sony originales répertoriées ci-dessous peuvent également être utilisées avec des produits compatibles avec « BRAVIA » Sync.

Économie d'énergie

Si un téléviseur compatible « BRAVIA » Sync est raccordé au système, vous pouvez réduire la consommation électrique en mode veille en arrêtant la transmission du signal HDMI lorsque le téléviseur est éteint avec la fonction de transmission HDMI* du système réglée sur [AUTO] (page 17). Le réglage par défaut est [AUTO].

Si un autre téléviseur non « BRAVIA » est raccordé, réglez la fonction sur [ON] (page 17).

* La fonction de transmission HDMI est utilisée pour émettre les signaux provenant de la prise HDMI OUT de ce système même s'il est en mode veille.

Remarques sur les connexions HDMI

- Utilisez un câble HDMI haut débit. Si vous utilisez un câble HDMI standard, le contenu 1080p, Deep Color, 3D et 4K risque de ne pas s'afficher correctement.
- Utilisez un câble compatible HDMI. Utilisez un câble HDMI haut débit Sony avec le logo du type de câble.
- Il est déconseillé d'utiliser un câble de conversion HDMI-DVI.
- Si la qualité d'image est médiocre ou si le son n'est pas émis par un appareil raccordé à l'aide du câble HDMI, vérifiez la configuration de cet appareil.
- Il est possible que les signaux audio (fréquence d'échantillonnage,

longueur binaire, etc.) transmis par une prise HDMI soient supprimés par l'appareil raccordé.

- Le son peut être interrompu en cas de modification de la fréquence d'échantillonnage ou du nombre de canaux des signaux de sortie audio provenant de l'appareil utilisé pour la lecture.
- Si l'appareil raccordé n'est pas compatible avec la technologie de protection des droits d'auteur (HDCP), l'image et/ou le son provenant de la prise HDMI OUT de ce système peuvent être déformés ou absents. Dans ce cas, vérifiez les caractéristiques de l'appareil raccordé.
- Lorsque « TV » est sélectionné comme source d'entrée du système, les signaux vidéo émis par l'une des prises HDMI IN 1/2/3 sélectionnées lors de la dernière utilisation sont émis depuis la prise HDMI OUT.
- Ce système prend en charge la transmission Deep Color, « x.v.Color », 3D et 4K.
- Pour profiter du contenu 3D, raccordez un téléviseur compatible 3D et un appareil vidéo (lecteur Blu-ray Disc, « PlayStation®4 », etc.) au système à l'aide de câbles HDMI haut débit, mettez des lunettes 3D, puis activez la lecture du Blu-ray Disc compatible 3D, etc.
- Pour profiter du contenu 4K, le téléviseur et les lecteurs raccordés au système doivent être compatibles avec le contenu 4K.

Réglage de la fonction de contrôle parental

Les boutons de la barre de haut-parleurs, sauf le bouton I/⏻ (marche/arrêt), seront désactivés.

Appuyez sur INPUT sur la barre de haut-parleurs pendant environ 5 secondes lorsque le système est allumé.

[LOCKED] apparaît sur l'écran.
Pour annuler la fonction de contrôle parental, appuyez de nouveau sur INPUT pendant environ 5 secondes pour afficher [UNLOCK].

Économie d'énergie en mode veille

Vérifiez que vous avez fait les réglages suivants :

- [CTRL] dans [HDMI] est réglé sur [OFF] (page 17).
- [S. THRU] dans [HDMI] sur [AUTO] (page 17).

Installation de la barre de haut-parleurs sur un mur

Vous pouvez installer la barre de haut-parleurs sur un mur.

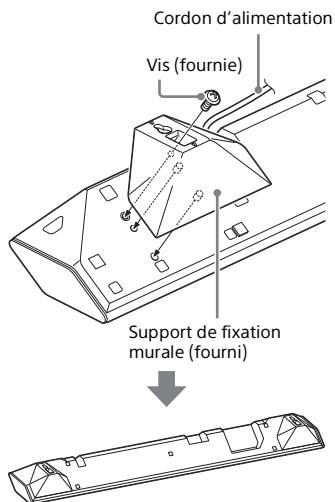
Remarques

- Utilisez des vis (non fournies) adaptées au matériau et à la résistance du mur. Comme les plaques de plâtre sont particulièrement fragiles, fixez fermement les vis avec deux boulons à une poutre du mur. Installez la barre de haut-parleurs horizontalement, accrochée par des vis dans des boulons sur une partie plate continue du mur.
- Veillez à confier l'installation à des revendeurs ou à des installateurs agréés Sony et portez une attention particulière aux consignes de sécurité pendant l'installation.
- Sony ne peut être tenu responsable des accidents ou dégâts occasionnés par une mauvaise installation, une résistance insuffisante du mur, une mauvaise fixation des vis, une catastrophe naturelle, etc.

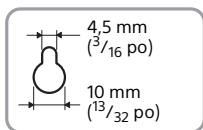
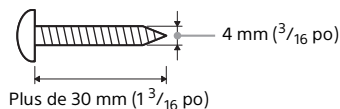
- 1** Insérez les supports de fixation murale fournis dans les trous sous la barre de haut-parleurs avec les vis fournies comme indiqué sur l'illustration.

Insérez les deux supports de fixation murale dans les trous gauche et droit sous la barre de haut-parleurs.

Exemple : HT-CT780



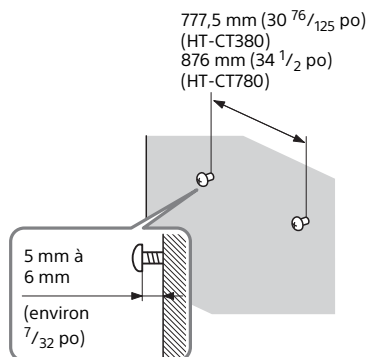
2 Utilisez des vis (non fournies) adaptées aux trous des supports.



Trou du support

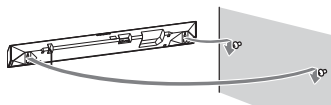
3 Fixez les vis avec 2 boulons au mur.

Les vis doivent dépasser de 5 mm à 6 mm (environ $\frac{7}{32}$ po).



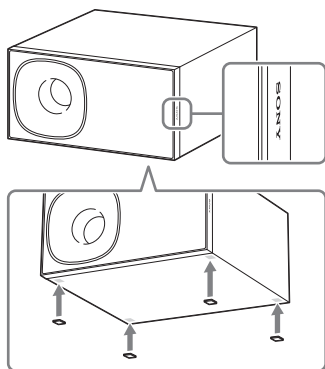
4 Suspendez la barre de haut-parleurs aux vis.

Alignez les trous des supports avec les vis, puis suspendez la barre de haut-parleurs aux deux vis.



Installation à l'horizontale du caisson de graves (HT-CT380 uniquement)

Placez le caisson de graves avec le logo « SONY » sur le côté droit face au côté avant.



Fixez les patins de haut-parleur fournis.

Liaison du système (Lien vers le caisson de graves)

Réglez de nouveau la connexion du caisson de graves sans fil.

- 1 Appuyez sur MENU.**
- 2 Sélectionnez [WS] avec $\uparrow \downarrow$ (sélection), puis appuyez sur ENTER.**
- 3 Sélectionnez [LINK] avec $\uparrow \downarrow$ (sélection), puis appuyez sur ENTER.**
- 4 Lorsque [START] apparaît sur l'écran, appuyez sur ENTER.**
[SEARCH] apparaît et la barre de haut-parleurs recherche les appareils pouvant être utilisés avec Link. Passez à l'étape suivante en moins 1 minute.
Pour quitter la fonction Link lors de la recherche d'un appareil, appuyez sur BACK.
- 5 Appuyez sur LINK sur le caisson de graves.**
Le témoin marche/arrêt du caisson de graves s'allume en vert. [OK] apparaît sur l'écran de la barre de haut-parleurs.
Si [FAILED] apparaît, vérifiez que le caisson de graves est sous tension et répétez le processus depuis l'étape 1.
- 6 Appuyez sur MENU.**
Le menu est mis hors tension.

Précautions

Concernant la sécurité

- Si un objet ou du liquide venait à pénétrer à l'intérieur du système, débranchez-le et faites-le vérifier par un technicien qualifié avant de le remettre en marche.
- Il est interdit de marcher sur la barre de haut-parleurs et le caisson de graves, car cela pourrait entraîner une chute et des blessures ou endommager le système.

Concernant les sources d'alimentation

- Avant de mettre en marche le système, vérifiez que la tension de fonctionnement est identique à celle de votre source d'alimentation locale. La tension de fonctionnement est indiquée sur l'étiquette située sous la barre de haut-parleurs.
- Si vous prévoyez de ne pas utiliser le système pendant une période prolongée, assurez-vous de le débrancher de la prise murale. Pour débrancher le cordon d'alimentation, tirez sur la fiche et non sur le cordon.
- Pour des raisons de sécurité, l'une des broches de la fiche est plus large que l'autre et elle s'insère dans la prise murale dans un seul sens. Si vous ne parvenez pas à insérer la fiche à fond dans la prise, contactez votre revendeur.
- Le cordon d'alimentation doit être remplacé uniquement dans un centre de service après-vente qualifié.

Concernant l'accumulation de chaleur

Bien que le système chauffe lors du fonctionnement, il ne s'agit pas d'un dysfonctionnement. Si vous utilisez le système continuellement à un volume élevé, la température augmente considérablement au niveau de ses faces

arrière et inférieure. Pour éviter de vous brûler, ne touchez pas le système.

Concernant l'emplacement

- Installez le système dans un endroit correctement ventilé pour éviter l'accumulation de chaleur et prolonger la durée de vie de votre système.
- N'installez pas le système à proximité de sources de chaleur ou dans un endroit soumis aux rayons du soleil, à une poussière excessive ou à des chocs mécaniques.
- Ne mettez rien sur la barre de haut-parleurs ou sur le caisson de graves qui pourrait bloquer les trous de ventilation et causer des dysfonctionnements.
- Si le système est utilisé conjointement avec un téléviseur, un magnétoscope ou un magnétophone, cela peut provoquer des parasites et diminuer la qualité de l'image. Dans ce cas, placez le système loin du téléviseur, du magnétoscope ou du magnétophone.
- Faites attention lorsque vous installez le système sur une surface traitée (avec de la cire, de l'huile, etc.), car vous risquez de la tacher et de la décolorer.
- Évitez de vous blesser sur les coins de la barre de haut-parleurs et du caisson de graves.
- Laissez un espace d'au moins 3 cm ($1\frac{3}{16}$ po) sous la barre de haut-parleurs lorsque vous la suspendez à un mur.

Concernant le fonctionnement

Avant de raccorder un autre appareil, assurez-vous d'éteindre et de débrancher le système.

Si l'écran du téléviseur situé à proximité présente des irrégularités de couleurs

Des irrégularités de couleurs peuvent être constatées sur certains types de téléviseurs.

- En cas d'irrégularités de couleurs...
Mettez le téléviseur hors tension, puis remettez-le sous tension après 15 à

30 minutes.

- En cas d'irrégularités de couleurs persistantes...
Éloignez davantage le système du téléviseur.

Concernant l'entretien

Nettoyez le système avec un chiffon sec et doux. N'utilisez pas de tampons abrasifs, de poudre à récurer ou de solvant tel que de l'alcool ou de la benzine.

Si vous avez des questions ou si vous rencontrez des problèmes avec votre système, consultez votre revendeur Sony le plus proche.

Dépannage

Si vous rencontrez l'une des difficultés suivantes lors de l'utilisation de ce système, consultez ce guide de dépannage pour tenter de résoudre le problème. Si le problème persiste, consultez votre revendeur Sony le plus proche.

Caractéristiques générales

Le système ne s'allume pas.

- Vérifiez que le cordon d'alimentation est correctement raccordé.

Le système ne fonctionne pas normalement.

- Débranchez le cordon d'alimentation de la prise murale, puis rebranchez-le après plusieurs minutes.

Le système se met automatiquement hors tension.

- La fonction de veille automatique est activée. Réglez [A. STBY] dans [SYSTEM] sur [OFF] (page 18).

Son

Le système n'émet aucun son provenant du téléviseur.

- Appuyez plusieurs fois sur le bouton INPUT sur la télécommande pour afficher [TV] sur l'écran (consultez le manuel de démarrage fourni).
- Mettez d'abord le téléviseur sous tension, puis le système. Paramétrez le réglage des haut-parleurs du téléviseur (BRAVIA) sur Système audio. Consultez le manuel d'instructions du téléviseur pour voir ses réglages.

- Vérifiez le raccordement du câble HDMI, du câble numérique optique ou du câble audio connecté au système et au téléviseur (consultez le manuel de démarrage fourni).
- Montez le volume du téléviseur ou annulez la fonction de mise en sourdine.
- Lorsqu'un téléviseur compatible avec la technologie du canal de retour audio (ARC) est raccordé avec un câble HDMI, vérifiez que le câble est connecté à la prise d'entrée HDMI (ARC) du téléviseur. Si le son n'est toujours pas émis ou s'il baisse, branchez le câble numérique optique fourni et réglez [ARC] sur [OFF] dans le menu (page 17). (Consultez le manuel de démarrage fourni pour en savoir plus sur la connexion.)
- Si le téléviseur n'est pas compatible avec la technologie du canal de retour audio (ARC), branchez le câble numérique optique. Le son du téléviseur n'est pas émis via une connexion HDMI (consultez le guide de démarrage fourni).
- Si aucun son n'est émis depuis une prise de sortie numérique optique ou si le téléviseur n'a pas de prise de sortie numérique optique, branchez le décodeur câble ou le récepteur satellite directement à la prise DIGITAL IN (TV) du système.




Le système et le téléviseur reproduisent le son.

- Éteignez le son du téléviseur.


Le son du téléviseur de ce système est en retard sur l'image.

- Si [SYNC] est réglé sur [ON], réglez-le sur [OFF] (page 16).
- Lors du visionnage d'un film, vous pourriez constater un décalage entre le son et l'image.

La barre de haut-parleurs ne reproduit aucun son ou ne reproduit que très faiblement le son provenant de l'appareil raccordé à la barre de haut-parleurs.

- Appuyez sur le bouton  (volume) + de la télécommande et vérifiez le volume sonore (page 32).
- Appuyez sur le bouton  (sourdine) ou  (volume) + de la télécommande pour annuler la fonction de mise en sourdine (page 32).
- Assurez-vous que la source d'entrée est correctement sélectionnée. Vous devez essayer d'autres sources d'entrée en appuyant plusieurs fois sur le bouton INPUT de la télécommande (page 8).
- Vérifiez que tous les câbles et cordons du système et de l'appareil raccordé sont complètement insérés.

Le caisson de graves ne reproduit aucun son ou ne reproduit que très faiblement le son.

- Appuyez sur le bouton SW  (volume du caisson de graves) + de la télécommande pour augmenter le volume du caisson de graves (page 32).
- Assurez-vous que le témoin marche/arrêt sur le caisson de graves est allumé en vert. Si ce n'est pas le cas, consultez « Le caisson de graves n'émet aucun son. » dans « Son sans fil du caisson de graves » (page 29).
- Un caisson de graves permet de reproduire les sons graves. En cas de sources d'entrée contenant très peu de composants sonores graves (par exemple, une émission de télévision), il peut s'avérer difficile d'entendre le son du caisson de graves.

- Lors de la lecture de contenu compatible avec la technologie de protection des droits d'auteur (HDCP), le son n'est pas émis par le caisson de graves.

Vous n'arrivez pas à obtenir les effets surround.

- Selon le signal d'entrée et le réglage du champ acoustique, le traitement du son surround peut ne pas fonctionner correctement. L'effet surround peut être subtil selon le programme ou le disque en cours de lecture.
- Pour lire un son multicanaux, vérifiez le réglage de sortie du son numérique sur l'appareil raccordé au système. Pour plus d'informations, reportez-vous au manuel d'instructions qui accompagne l'appareil raccordé.

Dispositif BLUETOOTH

La connexion BLUETOOTH ne peut pas être finalisée.

- Vérifiez que le témoin BLUETOOTH (bleu) est allumé (page 32).

État du système	Témoin BLUETOOTH (bleu)
Pendant l'appairage BLUETOOTH	Clignote rapidement
Le système tente de se connecter à un dispositif BLUETOOTH	Clignote
Le système a établi une connexion avec un dispositif BLUETOOTH	Allumé
Le système est en mode veille BLUETOOTH (lorsque le système est hors tension)	Éteint

- Assurez-vous que le dispositif BLUETOOTH à connecter est bien

sous tension et que la fonction BLUETOOTH est activée.

- Rapprochez le système et le dispositif BLUETOOTH.
- Appairez de nouveau le système et le dispositif BLUETOOTH. Vous devez peut-être d'abord annuler l'appairage avec ce système à l'aide de votre dispositif BLUETOOTH.
- Si [BT PWR] du système est réglé sur [OFF], réglez-le sur [ON] (page 17).

L'appairage ne fonctionne pas.

- Rapprochez le système et le dispositif BLUETOOTH (page 8).
- Assurez-vous que ce système ne reçoit pas d'interférences provenant d'un équipement de réseau local sans fil, d'autres dispositifs sans fil 2,4 GHz ou d'un four à micro-ondes. Si un dispositif générant des radiations électromagnétiques est situé à proximité, éloignez le dispositif de ce système.

Le dispositif BLUETOOTH connecté n'émet aucun son.

- Vérifiez que le témoin BLUETOOTH (bleu) est allumé (page 32).
- Rapprochez le système et le dispositif BLUETOOTH.
- Si un dispositif générant des radiations électromagnétiques, tel qu'un équipement de réseau local sans fil, d'autres dispositifs BLUETOOTH ou un four à micro-ondes, est situé à proximité, éloignez le dispositif de ce système.
- Retirez tout obstacle pouvant se trouver entre le système et le dispositif BLUETOOTH ou éloignez le système de cet obstacle.
- Repositionnez le dispositif BLUETOOTH connecté.
- Essayez de régler la fréquence sans fil du routeur Wi-Fi, de l'ordinateur, etc. sur la bande 5 GHz.

- Montez le volume du dispositif BLUETOOTH connecté.

Le son n'est pas synchronisé avec l'image.

- Lors du visionnage d'un film, vous pourriez constater un décalage entre le son et l'image.

Son sans fil du caisson de graves

Le caisson de graves n'émet aucun son.

- Vérifiez que le cordon d'alimentation du caisson de graves est correctement raccordé.
- Le témoin marche/arrêt ne s'allume pas.
 - Vérifiez que le cordon d'alimentation du caisson de graves est correctement raccordé.
 - Appuyez sur le bouton I/⏻ (marche/arrêt) du caisson de graves pour le mettre sous tension.
- Le témoin marche/arrêt clignote lentement en vert ou s'allume en rouge.
 - Approchez le caisson de graves de la barre de haut-parleurs afin que le témoin marche/arrêt s'allume en vert.
 - Suivez les étapes de la section « Liaison du système (Lien vers le caisson de graves) » (page 24).
 - Vérifiez l'état de la communication du système audio sans fil avec l'option [RF CHK] du menu de l'amplificateur (page 18).
- Le témoin marche/arrêt clignote rapidement en vert.
 - Consultez votre revendeur Sony le plus proche.

- Le témoin marche/arrêt clignote en rouge.

- Appuyez sur le bouton I/⏻ (marche/arrêt) du caisson de graves pour le mettre hors tension et vérifiez si l'orifice de ventilation du caisson de graves est bien dégagé.

- Le caisson de graves est conçu pour reproduire les sons graves. Lorsque la source d'entrée contient très peu de sons graves, comme c'est le cas pour la plupart des émissions de télévision, les graves peuvent ne pas être audibles.
- Appuyez sur le bouton SW ◀ (volume du caisson de graves) + de la télécommande pour augmenter le volume du caisson de graves (page 35).

Le son présente des interruptions ou des parasites.

- Si un dispositif générant des ondes électromagnétiques, tel qu'un réseau local sans fil ou un four à micro-ondes en cours d'utilisation, se trouve à proximité, éloignez-le du système.
- Si un obstacle est présent entre la barre de haut-parleurs et le caisson de graves, déplacez-le ou retirez-le.
- Placez la barre de haut-parleurs et le caisson de graves aussi proches que possible.
- Réglez la fréquence de réseau local sans fil des routeurs Wi-Fi ou ordinateurs se trouvant à proximité sur la bande 5 GHz.
- Passez le téléviseur, le lecteur Blu-ray Disc, etc. du réseau local sans fil au réseau local filaire.

Télécommande

La télécommande ne fonctionne pas.

- Pointez la télécommande vers le centre du panneau avant (capteur de télécommande) du système (page 32).
- Retirez tous les obstacles se trouvant entre la télécommande et le système.
- Si les piles de la télécommande sont usées, remplacez-les.
- Assurez-vous d'appuyer sur le bon bouton de la télécommande.

La télécommande du téléviseur ne fonctionne pas.

- Installez la barre de haut-parleurs de façon à ce qu'elle ne bloque pas le capteur de télécommande du téléviseur.

Autres

La fonction Commande pour HDMI ne fonctionne pas correctement.

- Vérifiez la connexion HDMI (consultez le manuel de démarrage fourni).
- Réglez la fonction Commande pour HDMI sur le téléviseur. Consultez le mode d'emploi fourni avec le téléviseur pour connaître ses réglages.
- Si vous connectez/déconnectez le cordon d'alimentation, attendez au moins 15 secondes pour faire fonctionner le système.
- Assurez-vous que tout appareil raccordé est compatible avec « BRAVIA » Sync.
- Vérifiez les réglages de la Commande pour HDMI sur l'appareil raccordé. Consultez le manuel d'instructions fourni avec l'appareil raccordé.
- Si vous raccordez la sortie audio de l'appareil vidéo au système à l'aide

d'un câble autre qu'un câble HDMI, aucun son ne peut être émis en raison de la fonction Commande pour HDMI. Dans ce cas, réglez [CTRL (Commande pour HDMI)] dans [HDMI] sur [OFF] (page 17) ou connectez le câble de la prise de sortie audio de l'appareil vidéo directement au téléviseur.

- Le type et le nombre d'appareils pouvant être contrôlés par la fonction « BRAVIA » sont limités par la norme HDMI CEC comme suit :
 - Dispositifs d'enregistrement (enregistreur Blu-ray Disc, enregistreur DVD, etc.) : 3 maximum
 - Dispositifs de lecture (lecteur Blu-ray Disc, lecteur DVD, etc.) : 3 maximum
 - Dispositifs équipés d'un tuner : 4 maximum
 - Système audio (récepteur/casque d'écoute) : 1 maximum (dont ce système)

Aucune image n'est émise depuis le téléviseur lorsque la barre de haut-parleurs est en mode veille.

- Vérifiez que [S. THRU] est réglé sur [ON] (page 17).

Si [PTECT (protéger)] apparaît sur l'écran du panneau avant de la barre de haut-parleurs

- Appuyez sur le bouton I/⏻ (marche/arrêt) sur la barre de haut-parleurs pour mettre le système hors tension. Lorsque l'écran cesse de clignoter, débranchez le cordon d'alimentation, puis vérifiez que les orifices de ventilation de la barre de haut-parleurs ne sont pas obstrués.

L'écran du panneau avant de la barre de haut-parleurs n'est pas allumé.

→ Appuyez sur DIMMER pour régler la luminosité sur Lumineux ou Sombre, si elle est réglée sur Désactivé (page 35).

Les capteurs du téléviseur ne fonctionnent pas correctement.

→ La barre de haut-parleurs peut bloquer certains capteurs (tels que le capteur de luminosité) ainsi que le capteur de télécommande du téléviseur ou l'« émetteur pour lunettes 3D (transmission infrarouge) » d'un téléviseur 3D prenant en charge le système de lunettes 3D infrarouge ou la communication sans fil. Éloignez la barre de haut-parleurs du téléviseur à une distance leur permettant de fonctionner correctement. Pour connaître l'emplacement des capteurs et du capteur de la télécommande, consultez le mode d'emploi fourni avec le téléviseur.

Réinitialiser

Si le système ne fonctionne toujours pas correctement, réinitialisez-le comme suit :

- 1 Appuyez sur I/⏻ (marche/arrêt) pour mettre le système sous tension.**
- 2 Appuyez sur MENU.**
- 3 Sélectionnez [SYSTEM] avec ⬆ ⬇ (sélection), puis appuyez sur ENTER.**
- 4 Sélectionnez [SYS.RST] avec ⬆ ⬇ (sélection), puis appuyez sur ENTER.**

5 Lorsque [START] apparaît sur l'écran de la barre de haut-parleurs, appuyez sur ENTER. [RESET] apparaît sur l'écran et les réglages du menu et des champs acoustiques, etc. reviennent à leur état initial.

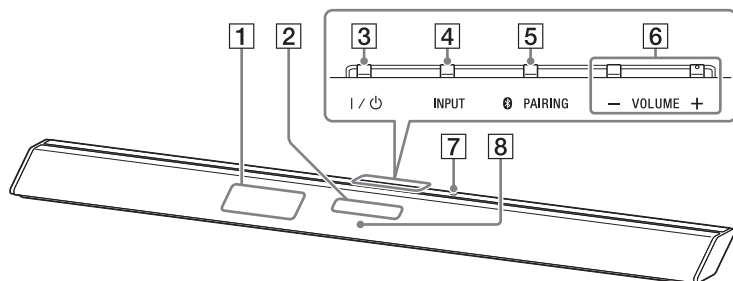
6 Lorsque [RESET] disparaît, débranchez le cordon d'alimentation.

Guide des pièces et des commandes

Pour plus d'informations, consultez les pages indiquées entre parenthèses.

Barre de haut-parleurs

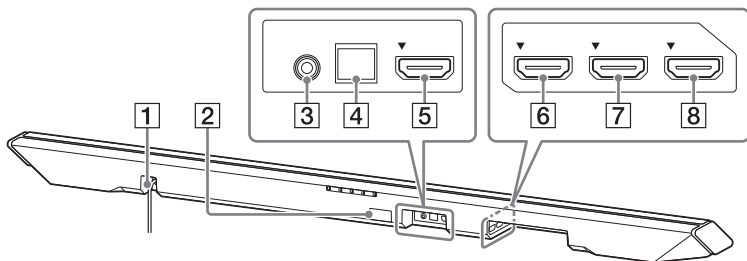
Panneaux avant et du haut



- 1** Capteur de télécommande
- 2** Écran du panneau avant
- 3** Bouton I/⏻ (marche/arrêt)
- 4** Bouton INPUT (page 8, 21)
- 5** Bouton PAIRING (page 8)
- 6** Boutons VOLUME +/-

- 7** Marque N (page 9)
Lorsque vous utilisez la fonction NFC, touchez votre appareil NFC sur la marque.
- 8** Témoin BLUETOOTH (bleu)
État BLUETOOTH
 - Pendant l'appairage BLUETOOTH : Clignote rapidement
 - La connexion BLUETOOTH est tentée : Clignote
 - La connexion BLUETOOTH a été établie : Allumé
 - Mode veille BLUETOOTH (quand le système est hors tension) : Éteint

Panneau arrière



1 Cordon d'alimentation

2 Port UPDATE (HT-CT780 uniquement)

Pour la mise à jour uniquement

3 Prise ANALOG IN

4 Prise DIGITAL IN (TV)

5 Prise HDMI IN 3

6 Prise HDMI IN 1

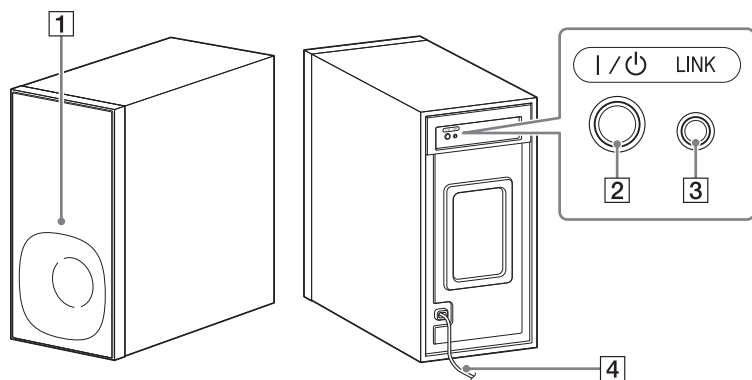
HT-CT780 est compatible avec HDCP 2.2.

7 Prise HDMI IN 2

8 Prise HDMI OUT (ARC)

HT-CT780 est compatible avec HDCP 2.2.

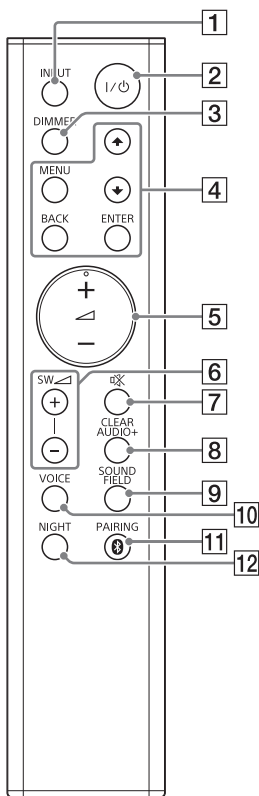
Caisson de graves



- 1** Témoin marche/arrêt
- 2** Bouton I / ⏻ (marche/arrêt)

- 3** Bouton LINK (page 24)
- 4** Cordon d'alimentation

Télécommande



- 1** Bouton INPUT (page 8)
- 2** Bouton I/⏻ (marche/arrêt)
- 3** Bouton DIMMER
Il est possible de modifier la luminosité de l'écran.
Lumineux → Sombre → Désactivé

- Lorsque la luminosité de l'écran est réglée sur « Désactivé », l'écran s'éteint après avoir affiché l'état d'exécution pendant plusieurs secondes.
- 4** Boutons MENU/↑↓ (sélection)/ ENTER/BACK (page 16)
Appuyez sur ↑ ou ↓ pour sélectionner les éléments de menu. Puis appuyez sur ENTER pour entrer la sélection. Pour revenir à l'écran précédent, appuyez sur BACK.
- 5** Boutons ◀ (volume) +*/-
Ajuste le volume.
- 6** Boutons SW ◀ (volume du caisson de graves) +*/-
Ajuste le volume des sons graves.
- 7** Bouton ✖ (sourdine)
Coupe le son temporairement.
- 8** Bouton CLEARAUDIO+
Sélectionne automatiquement le réglage sonore adapté à la source audio.
- 9** Bouton SOUND FIELD (page 11)
Sélectionne un mode audio.
- 10** Bouton VOICE (page 11)
- 11** Bouton PAIRING (page 8)
- 12** Bouton NIGHT (page 11)

* Le bouton ◀ + a un point tactile. Utilisez-les comme guide pendant le fonctionnement.

Formats audio pris en charge

Formats d'entrée audio numériques pris en charge par le système

Les formats audio pris en charge par ce système sont les suivants.

- Dolby Digital
- Dolby Digital Plus*
- Dolby TrueHD*
- DTS
- DTS96/24
- DTS-HD Master Audio*
- DTS-HD High Resolution Audio*
- DTS-HD Low Bit Rate*
- Linear PCM 2ch 48 kHz ou moins
- Linear PCM Maximum 7.1ch 192 kHz ou moins*

* Il est possible de saisir ces formats uniquement avec une connexion HDMI.

Formats vidéo pris en charge par le système

Entrée/Sortie (Bloc de répétition HDMI)

Fichier	2D	3D		
		Paquet d'images	Côte à côte (Demi)	Dessus-dessous (haut-et-bas)
4096 × 2160p @ 59,94/60 Hz*	○	–	–	–
4096 × 2160p @ 50 Hz*	○	–	–	–
4096 × 2160p @ 23,98/24 Hz**	○	–	–	–
3840 × 2160p @ 59,94/60 Hz*	○	–	–	–
3840 × 2160p @ 50 Hz*	○	–	–	–
3840 × 2160p @ 29,97/30 Hz**	○	–	–	–
3840 × 2160p @ 25 Hz**	○	–	–	–
3840 × 2160p @ 23,98/24 Hz**	○	–	–	–
1920 × 1080p @ 59,94/60 Hz	○	–	○	○
1920 × 1080p @ 50 Hz	○	–	○	○
1920 × 1080p @ 29,97/30 Hz	○	○	○	○
1920 × 1080p @ 25 Hz	○	○	○	○
1920 × 1080p @ 23,98/24 Hz	○	○	○	○
1920 × 1080i @ 59,94/60 Hz	○	○	○	○
1920 × 1080i @ 50 Hz	○	○	○	○
1280 × 720p @ 59,94/60 Hz	○	○	○	○
1280 × 720p @ 50 Hz	○	○	○	○
1280 × 720p @ 29,97/30 Hz	○	○	○	○
1280 × 720p @ 23,98/24 Hz	○	○	○	○
720 × 480p @ 59,94/60 Hz	○	–	–	–
720 × 576p @ 50 Hz	○	–	–	–
640 × 480p @ 59,94/60 Hz	○	–	–	–

* YCbCr 4:2:0/Prise en charge du format 8 bits uniquement

** Prise en charge du format 8 bits uniquement

Caractéristiques

Barre de haut-parleurs (SA-CT380, SA-CT780)

Partie amplificateur

Modèles des États-Unis :

PUISSANCE DE SORTIE ET DISTORSION
HARMONIQUE TOTALE :
(FTC)

Avant G + avant D :

Avec des charges de 4 ohms, les deux canaux étant excités, de 200 Hz à 20 000 Hz ; puissance efficace minimale de 35 Watts par canal, avec une distorsion harmonique totale maximale de 1% de la puissance de sortie nominale de 250 milliwatts.

PUISSANCE DE SORTIE (référence)

SA-CT380 :

Avant G/Avant D : 100 Watts (par canal à 4 ohms, 1 kHz)

SA-CT780 :

Avant G/Avant D : 105 Watts (par canal à 4 ohms, 1 kHz)

Modèles du Canada :

PUISSANCE DE SORTIE (nominale)

Avant G + avant D :

50 W + 50 W (à 4 ohms, 1 kHz, 1% THD)

PUISSANCE DE SORTIE (référence)

SA-CT380 :

Avant G/Avant D : 100 Watts (par canal à 4 ohms, 1 kHz)

SA-CT780 :

Avant G/Avant D : 105 Watts (par canal à 4 ohms, 1 kHz)

Entrées

HDMI IN* 1/2/3

ANALOG IN

DIGITAL IN (TV)

Sorties

HDMI OUT** (ARC)

* HT-CT380 : les prises 1, 2 et 3 sont identiques. Utiliser l'une ou l'autre ne fait aucune différence.

HT-CT780 : la prise 1 prend en charge le protocole HDCP 2.2. HDCP 2.2 est la technologie de protection des droits d'auteur récemment améliorée utilisée

pour protéger le contenu comme les films 4K. Les prises 2 et 3 sont identiques. Utiliser l'une ou l'autre ne fait aucune différence.

** HT-CT780 : la prise HDMI OUT prend en charge le protocole HDCP 2.2. HDCP 2.2 est la technologie de protection des droits d'auteur récemment améliorée utilisée pour protéger le contenu comme les films 4K.

Section HDMI

Connecteur

Type A (19 broches)

Section BLUETOOTH

Système de communication

BLUETOOTH Spécification version 3.0

Sortie

BLUETOOTH Classe 2 de puissance de la norme

Portée maximum de communication

Visibilité directe d'environ 10 m (33 pi)¹⁾

Nombre maximal de dispositifs à

enregistrer

9 dispositifs

Bande de fréquence

Bande 2,4 GHz (2,4000 GHz à 2,4835 GHz)

Méthode de modulation

FHSS (Freq Hopping Spread Spectrum)

Profils BLUETOOTH compatibles²⁾

A2DP 1.2 (Advanced Audio Distribution

Profile)

AVRCP 1.3 (Audio Video Remote Control Profile)

Codecs pris en charge³⁾

SBC⁴⁾, AAC⁵⁾

Portée de transmission (A2DP)

20 Hz - 20 000 Hz (fréquence d'échantillonnage 44,1 kHz)

¹⁾ La portée réelle variera selon des facteurs tels que les obstacles entre les dispositifs, les champs magnétiques autour d'un four à micro-ondes, de l'électricité statique, d'un téléphone sans fil, de la sensibilité de réception, du fonctionnement du système, de l'application logicielle, etc.

²⁾ Les profils BLUETOOTH standard indiquent le but de la communication BLUETOOTH entre les dispositifs.

- 3) Codec : Format de compression et de conversion de signal audio
 4) Codec de sous-bande
 5) Codage audio avancé

Section de haut-parleurs avant G/avant D

Système de haut-parleur

SA-CT380 : Système de haut-parleur à gamme étendue, suspension acoustique

SA-CT780 : Système de haut-parleur bidirectionnel, suspension acoustique

Haut-parleur

SA-CT380 : 60 mm (2³/₈ po) de type conique

SA-CT780 : Haut-parleur de graves : 60 mm (2³/₈ po) de type conique

Haut-parleur d'aigus : 19 mm (3/4 po) de type à dôme doux

Caractéristiques générales

Puissance de raccordement

120 V CA, 60 Hz

Consommation électrique

SA-CT380 :

Marche : 37 W

Veille : 0,3 W ou moins

(en mode d'économie d'énergie, voir page 21)

Veille : 0,5 W ou moins

(Lorsque [S. THRU] est [ON] : 6 W ou moins)

SA-CT780 :

Marche : 40 W

Veille : 0,3 W ou moins

(en mode d'économie d'énergie, voir page 21)

Veille : 0,5 W ou moins

(Lorsque [S. THRU] est [ON] : 6 W ou moins)

Dimensions (approx.) (l/h/p)

SA-CT380 :

900 mm × 51 mm × 117 mm (35¹/₂ po × 2¹/₈ po × 4⁵/₈ po) (sans les supports de fixation murale)

900 mm × 120 mm × 72 mm (35¹/₂ po × 4³/₄ po × 2⁷/₈ po) (avec les supports de fixation murale)

SA-CT780 :

1 030 mm × 55 mm × 117 mm

(40⁵/₈ po × 2¹/₄ po × 4⁵/₈ po) (sans les supports de fixation murale)

1 030 mm × 120 mm × 74 mm

(40⁵/₈ po × 4³/₄ po × 3 po) (avec les supports de fixation murale)

Poids (approx.)

SA-CT380 : 2,4 kg (5 lb 4⁵/₈ oz)

SA-CT780 : 2,8 kg (6 lb 2³/₄ oz)

Caisson de graves (SA-WCT380, SA-WCT780)

PUISSANCE DE SORTIE (référence)

SA-WCT380 :

100 W (par canal à 4 ohms, 100 Hz)

SA-WCT780 :

120 W (par canal à 4 ohms, 100 Hz)

Système de haut-parleur

Système de caisson de graves, Bass reflex

Haut-parleur

SA-WCT380 : 13 cm (5¹/₄ po) de type conique

SA-WCT780 : 16 cm (6¹/₂ po) de type conique

Puissance de raccordement

120 V CA, 60 Hz

Consommation électrique

SA-WCT380 :

Marche : 20 W

Mode veille : 0,5 W ou moins

SA-WCT780 :

Marche : 30 W

Mode veille : 0,5 W ou moins

Dimensions (approx.) (l/h/p)

SA-WCT380 :

170 mm × 342 mm × 381 mm (6 ³/₄ po
× 13 ¹/₂ po × 15 po) (installation
verticale)

342 mm × 172 mm × 381 mm (13 ¹/₂ po
× 6 ⁷/₈ po × 15 po) (installation
horizontale)

SA-WCT780 :

191 mm × 382 mm × 390 mm (7 ⁵/₈ po
× 15 ¹/₈ po × 15 ³/₈ po)

Poids (approx.)

SA-WCT380 : 6,6 kg (14 lb 8 ³/₄ oz)

SA-WCT780 : 7,9 kg (17 lb 6 ⁵/₈ oz)

Section transmetteur/ récepteur sans fil

Système de haut-parleur

Norme de son sans fil version 2.0

Bande de fréquence

2,4 GHz (2,4000 GHz à 2,4835 GHz)

Méthode de modulation

Pi / 4 DQPSK

La conception et les caractéristiques sont
sujettes à modification sans préavis.

À propos de la communication BLUETOOTH

- Les dispositifs BLUETOOTH devraient être éloignés d'au maximum 10 mètres (33 pieds) (distance dégagée) les uns des autres. La portée efficace de communication peut être plus courte dans les conditions suivantes.
 - Lorsqu'une personne, un objet métallique, un mur ou une autre obstruction est situé entre les dispositifs avec une connexion BLUETOOTH
 - Dans les lieux où un réseau local sans fil est installé
 - Autour de fours à micro-ondes en cours d'utilisation
 - Dans des lieux où d'autres ondes électromagnétiques sont générées
- Les dispositifs BLUETOOTH et le réseau local sans fil (IEEE 802.11b/g) utilisent la même bande de fréquence (2,4 GHz). Lorsque vous utilisez votre dispositif BLUETOOTH près d'un dispositif disposant d'une capacité de réseau local sans fil, des interférences électromagnétiques peuvent se produire. Ceci pourrait causer une réduction des taux de transfert de données, des parasites ou l'incapacité de se raccorder. Si ceci se produit, essayez les solutions suivantes :
 - Utilisez ce système à au moins 10 mètres (33 pieds) du dispositif de réseau local sans fil.
 - Coupez l'alimentation du dispositif de réseau local sans fil lorsque vous utilisez votre dispositif BLUETOOTH à moins de 10 mètres (33 pieds).
 - Installez ce système et le dispositif BLUETOOTH aussi proches que possible l'un de l'autre.
- L'émission d'ondes radio par ce système peut interférer avec le fonctionnement de certains dispositifs médicaux. Puisque cette interférence peut causer un dysfonctionnement, coupez toujours l'alimentation de ce système et du dispositif BLUETOOTH dans les emplacements suivants :
 - Dans les hôpitaux, les trains, les avions, les stations-services et à n'importe quel endroit où des gaz inflammables peuvent être présents
 - Près des portes automatiques ou des alarmes d'incendie
- Ce système prend en charge des fonctions de sécurité qui se conforment à la norme BLUETOOTH pour garantir la sécurité lors des communications utilisant la technologie BLUETOOTH. Toutefois, cette sécurité peut être insuffisante en fonction des réglages et d'autres facteurs. Soyez donc toujours prudent lorsque vous communiquez avec la technologie BLUETOOTH.
- Sony ne peut pas être tenu responsable de quelque façon que ce soit pour les dommages ou d'autres pertes résultant de fuites d'informations pendant l'utilisation de la technologie de communication BLUETOOTH.
- La communication BLUETOOTH n'est pas nécessairement garantie avec tous les dispositifs BLUETOOTH qui ont le même profil que ce système.
- Les dispositifs BLUETOOTH raccordés avec ce système doivent se conformer à la norme BLUETOOTH prescrite par le Bluetooth SIG, Inc., et doivent être certifiés conformes. Toutefois, même lorsqu'un dispositif se conforme à la norme BLUETOOTH, dans certains cas, les particularités ou les caractéristiques du dispositif BLUETOOTH rendent le raccordement impossible, ou peuvent causer différentes méthodes de contrôle, d'affichage ou de fonctionnement.

- Des parasites peuvent se produire ou le son peut se couper en fonction du dispositif BLUETOOTH raccordé à ce système, de l'environnement de communication ou des conditions environnantes.

Si vous avez des questions ou si vous rencontrez des problèmes avec votre système, consultez votre revendeur Sony le plus proche.

CONTRAT DE LICENCE D'UTILISATEUR FINAL

IMPORTANT :

VEUILLEZ LIRE ATTENTIVEMENT LE PRÉSENT CONTRAT DE LICENCE D'UTILISATEUR FINAL (« CLUF ») AVANT D'UTILISER LE LOGICIEL. EN UTILISANT LE LOGICIEL, VOUS ACCEPTEZ LES CONDITIONS DU PRÉSENT CLUF. VOUS NE POUVEZ PAS UTILISER LE LOGICIEL SI VOUS N'ACCEPTEZ PAS LES CONDITIONS DU PRÉSENT CLUF.

Le présent CLUF est un contrat conclu entre vous et Sony Corporation (ci-après « SONY »). Le présent CLUF régit vos droits et obligations eu égard au logiciel SONY de SONY et/ou de ses concédants de licence tiers (y compris les sociétés affiliées de SONY) ainsi que leurs sociétés affiliées respectives (ci-après collectivement dénommés les « FOURNISSEURS TIERS »), ainsi qu'eu égard à toute mise à jour/mise à niveau fournie par SONY, à toute documentation imprimée, en ligne ou électronique relative à ce logiciel et à tous fichiers de données créés du fait de l'utilisation de ce logiciel (ci-après collectivement dénommés le « LOGICIEL »).

Nonobstant ce qui précède, tout logiciel compris dans le LOGICIEL auquel est associé un contrat de licence d'utilisateur final distinct (y compris, notamment, une Licence publique générale GNU ou une Licence publique générale limitée ou pour les bibliothèques) sera couvert par les dispositions du contrat de licence d'utilisateur final distinct qui s'appliqueront en lieu et place des dispositions du présent CLUF dans la mesure précisée par ledit contrat de licence d'utilisateur final distinct (ci-après le « LOGICIEL EXCLUS »).

LICENCE D'UTILISATION DU LOGICIEL

Le LOGICIEL est concédé sous licence, il n'est pas vendu. Le LOGICIEL est protégé par les lois relatives aux droits d'auteur et autres droits de propriété intellectuelle.

DROITS D'AUTEUR

Tous les droits et titres afférents au LOGICIEL et sur celui-ci (y compris, notamment, toute image, toute photographie, toute animation, toute vidéo, tout fichier audio, toute musique, tout texte et tout applet intégrés au LOGICIEL) sont détenus par SONY ou l'un ou plusieurs des FOURNISSEURS TIERS.

OCTROI DE LICENCE

SONY vous concède une licence limitée d'utilisation du LOGICIEL exclusivement avec votre appareil compatible (ci-après l'« APPAREIL ») et uniquement à des fins personnelles non commerciales. SONY et les FOURNISSEURS TIERS se réservent expressément l'ensemble des droits, titres et intérêts (y compris, notamment, l'ensemble des droits de propriété intellectuelle) afférents et se rapportant au LOGICIEL, qui ne vous sont pas spécifiquement octroyés aux termes du présent CLUF.

OBLIGATIONS ET LIMITES

Vous ne pouvez pas copier, publier, adapter, redistribuer, tenter de déterminer le code source, modifier, faire de l'ingénierie inverse sur, décompiler ou désassembler tout ou partie du LOGICIEL, ni créer d'œuvres dérivées du LOGICIEL, sauf si de telles œuvres dérivées sont volontairement facilitées par le LOGICIEL. Vous ne pouvez pas modifier ni falsifier la fonctionnalité de gestion des droits numériques du LOGICIEL. Vous ne pouvez pas contourner, modifier, empêcher ou circonvenir l'une ou plusieurs des fonctions ou protections du LOGICIEL ou de tout mécanisme fonctionnellement lié au LOGICIEL. Vous ne pouvez pas séparer un composant spécifique du LOGICIEL afin de

l'utiliser sur plus d'un APPAREIL sans l'autorisation expresse de SONY à cet effet. Vous ne pouvez pas supprimer, altérer, recouvrir ou détériorer les marques ou mentions apposées sur le LOGICIEL. Vous ne pouvez pas partager, distribuer, louer, donner en location, concéder en sous-licence, céder, transférer ni vendre le LOGICIEL. Les logiciels, services de réseau ou autres produits, autres que le LOGICIEL, indispensables à l'exécution du LOGICIEL, peuvent être interrompus ou arrêtés à la discrétion des fournisseurs (fournisseurs de logiciels, prestataires de services ou SONY). SONY et ces fournisseurs ne garantissent pas que le LOGICIEL, les services de réseau, les contenus ou les autres produits resteront disponibles ou fonctionneront sans interruption ni modification.

UTILISATION DU LOGICIEL AVEC DES ÉLÉMENTS PROTÉGÉS PAR LE DROIT D'AUTEUR

Il est possible que vous puissiez utiliser le LOGICIEL pour visualiser, stocker, traiter et/ou utiliser le contenu créé par vous-même ou par des tiers. Ce contenu peut être protégé par le droit d'auteur, les lois portant sur d'autres droits de propriété intellectuelle et/ou des accords y afférents. Vous acceptez d'utiliser le LOGICIEL uniquement conformément à tous lesdits lois et accords s'appliquant à ce contenu. Vous reconnaissez et acceptez que SONY puisse prendre des mesures appropriées pour protéger les droits d'auteur relatifs au contenu stocké, traité ou utilisé par le LOGICIEL. Ces mesures comprennent, sans toutefois s'y limiter, le décompte de la fréquence de vos sauvegardes et restaurations par certaines fonctionnalités du LOGICIEL, le refus de votre demande de permission de restauration de données et la résiliation du présent CLUF en cas d'utilisation illégitime de votre part du LOGICIEL.

SERVICE DE CONTENU

VEUILLEZ ÉGALEMENT NOTER QUE LE LOGICIEL PEUT ÊTRE CONÇU POUR ÊTRE UTILISÉ AVEC LE CONTENU DISPONIBLE PAR LE BIAIS D'UN OU DE PLUSIEURS SERVICES DE CONTENU (CI-APRÈS LE « SERVICE DE CONTENU »). L'UTILISATION DU SERVICE ET DE CE CONTENU EST SOUMISE AUX CONDITIONS DE SERVICE DE CE SERVICE DE CONTENU. SI VOUS REFUSEZ CES CONDITIONS, VOTRE UTILISATION DU LOGICIEL SERA LIMITÉE. Vous reconnaissez et acceptez que certains contenus et certains services disponibles par l'intermédiaire du LOGICIEL puissent être fournis par des tiers sur lesquels SONY n'exerce aucun contrôle. L'UTILISATION DU SERVICE DE CONTENU NÉCESSITE UNE CONNEXION INTERNET. LE SERVICE DE CONTENU PEUT ÊTRE INTERROMPU À TOUT MOMENT.

CONNECTIVITÉ INTERNET ET SERVICES DE TIERS

Vous reconnaissez et acceptez que l'accès à certaines fonctionnalités du LOGICIEL puisse nécessiter une connexion internet dont vous êtes exclusivement responsable. Par ailleurs, vous êtes exclusivement responsable du paiement des frais de tiers afférents à votre connexion internet, y compris, notamment, les frais des fournisseurs d'accès ou d'utilisation du réseau. L'exploitation du LOGICIEL peut être limitée ou restreinte en fonction des capacités, de la bande passante ou des limites techniques de votre connexion et de votre service internet. La fourniture, la qualité et la sécurité de cette connectivité internet relèvent de la responsabilité exclusive du tiers fournissant le service.

RÉGLEMENTATIONS RELATIVES AUX EXPORTATIONS ET AUTRES

Vous acceptez de respecter toutes les restrictions et réglementations relatives aux exportations et réexportations en vigueur dans la zone ou le pays où vous résidez, et de ne pas transférer ou autoriser le transfert du LOGICIEL vers un pays

interdit ou d'une autre manière contrevenant auxdites restrictions ou réglementations.

ACTIVITÉS À HAUT RISQUE

Le LOGICIEL ne possède pas de tolérance aux pannes et n'est pas conçu, fabriqué pour ou destiné à être utilisé ou revendu comme un équipement de contrôle en ligne dans des environnements dangereux nécessitant des performances sans failles, comme l'exploitation d'installations nucléaires, la navigation ou les systèmes de communication aériens, le contrôle du trafic aérien, les appareils de maintien des fonctions vitales ou les systèmes d'armes, pour lesquels toute panne du LOGICIEL pourrait conduire à des décès, à des lésions corporelles ou à d'importants préjudices physiques ou environnementaux (ci-après les « ACTIVITÉS À HAUT RISQUE »). SONY, chacun des FOURNISSEURS TIERS et chacune de leurs sociétés affiliées respectives déclinent toutes garanties, obligations ou conditions d'adéquation aux ACTIVITÉS À HAUT RISQUE, qu'elles soient explicites ou implicites.

EXCLUSION DE GARANTIE SUR LE LOGICIEL

Vous reconnaissez et acceptez que vous utilisez le LOGICIEL à vos propres risques et que vous êtes responsable de l'utilisation du LOGICIEL. Le LOGICIEL est fourni « EN L'ÉTAT », sans garantie, ni obligation ou condition d'aucune sorte.

SONY ET CHACUN DES FOURNISSEURS TIERS (aux fins de la présente Section, SONY et chacun des FOURNISSEURS TIERS sont collectivement dénommés « SONY ») DÉCLINENT EXPRESSÉMENT L'ENSEMBLE DES GARANTIES, OBLIGATIONS OU CONDITIONS, EXPLICITES OU IMPLICITES, Y COMPRIS, NOTAMMENT, LES GARANTIES IMPLICITES DE QUALITÉ MARCHANDE, D'ABSENCE DE CONTREFAÇON ET D'ADÉQUATION À UN USAGE PARTICULIER. SONY NE GARANTIT PAS ET NE POSE AUCUNE CONDITION NI NE FAIT AUCUNE

DÉCLARATION (A) QUANT AU FAIT QUE LES FONCTIONS CONTENUES DANS LE LOGICIEL RÉPONDENT À VOS EXIGENCES OU QU'ELLES SERONT MISES À JOUR ; (B) QUANT AU FAIT QUE LE FONCTIONNEMENT DU LOGICIEL SERA CORRECT OU EXEMPT D'ERREURS NI QUE TOUTS LES DÉFAUTS SERONT CORRIGÉS ; (C) QUANT AU FAIT QUE LE LOGICIEL N'ENDOMMAGERA PAS UN AUTRE LOGICIEL, UN ÉLÉMENT OU DES DONNÉES ; (D) QUANT AU FAIT QUE TOUT LOGICIEL, TOUT SERVICE DE RÉSEAU (Y COMPRIS INTERNET) OU DES PRODUITS (AUTRES QUE LE LOGICIEL) INDISPENSABLES AU FONCTIONNEMENT DU LOGICIEL DEMEURERONT DISPONIBLES, NE SERONT PAS INTERROMPUS OU MODIFIÉS ; ET (E) EU ÉGARD À L'UTILISATION OU AUX RÉSULTATS DE L'UTILISATION DU LOGICIEL, QUANT À SON EXACTITUDE, PRÉCISION, FIABILITÉ OU AUTRE.

AUCUNE INFORMATION NI CONSEIL DONNÉ PAR ORAL OU PAR ÉCRIT PAR SONY OU UN REPRÉSENTANT AUTORISÉ DE SONY NE CRÉE DE GARANTIE, D'OBLIGATION OU DE CONDITION NI N'ACCROIT D'UNE QUELCONQUE FAÇON LA PORTÉE DE LA PRÉSENTE GARANTIE. SI LE LOGICIEL S'AVÈRE DÉFECTUEUX, VOUS ASSUMEREZ L'INTÉGRALITÉ DU COÛT DE TOUTS LES SERVICES, RÉPARATIONS OU CORRECTIONS NÉCESSAIRES. CERTAINS PAYS NE PERMETTENT PAS L'EXCLUSION DES GARANTIES IMPLICITES, DE SORTE QUE CES EXCLUSIONS PEUVENT NE PAS S'APPLIQUER À VOUS.

LIMITATION DE LA RESPONSABILITÉ

SONY ET CHACUN DES FOURNISSEURS TIERS (aux fins de la présente Section, SONY et chacun des FOURNISSEURS TIERS sont collectivement désignés « SONY ») N'ASSUMENT AUCUNE RESPONSABILITÉ POUR LES DOMMAGES ACCESSOIRES OU INDIRECTS LIÉS À LA VIOLATION DE TOUTE GARANTIE EXPLICITE OU IMPLICITE, TOUT MANQUEMENT CONTRACTUEL, TOUTE NÉGLIGENCE, TOUTE RESPONSABILITÉ

SANS FAUTE OU AU TITRE DE TOUTE AUTRE THÉORIE JURIDIQUE RELATIVE AU LOGICIEL, Y COMPRIS, NOTAMMENT, LES DOMMAGES DÉCOULANT DE LA PERTE DE PROFITS, DE LA PERTE DE REVENUS, DE LA PERTE DE DONNÉES, DE LA PERTE D'UTILISATION DU LOGICIEL OU DE TOUT ÉLÉMENT ASSOCIÉ, DE TOUT TEMPS D'ARRÊT ET TEMPS DE L'UTILISATEUR, MÊME EN CAS DE CONNAISSANCE PRÉALABLE DE LA POSSIBILITÉ D'UN TEL DOMMAGE. DANS TOUTS LES CAS, LA RESPONSABILITÉ GLOBALE DE CHACUN ET DE TOUTS AUX TERMES DE TOUTE DISPOSITION DU PRÉSENT CLUF SE LIMITERA AU MONTANT EFFECTIVEMENT PAYÉ POUR LE PRODUIT. CERTAINS PAYS NE PERMETTENT PAS L'EXCLUSION OU LA LIMITATION DES DOMMAGES ACCESSOIRES OU INDIRECTS, DE SORTE QUE CES EXCLUSIONS OU LIMITATIONS PEUVENT NE PAS S'APPLIQUER À VOUS.

FONCTIONNALITÉ DE MISE À JOUR AUTOMATIQUE

En tant que de besoin, SONY ou les FOURNISSEURS TIERS peuvent automatiquement mettre à jour ou autrement modifier le LOGICIEL, y compris, notamment, aux fins de l'amélioration des fonctionnalités de sécurité, de la correction d'erreurs et de l'amélioration de ses fonctions, lorsque vous interagissez avec les serveurs de SONY ou de tiers ou autrement. Ces mises à jour ou modifications peuvent supprimer ou changer la nature des fonctionnalités ou d'autres aspects du LOGICIEL, y compris, notamment, des fonctionnalités sur lesquelles vous comptez éventuellement. Vous reconnaissez et acceptez que ces activités puissent être réalisées à l'entière discrétion de SONY et que SONY puisse conditionner la poursuite de l'utilisation du LOGICIEL à l'installation ou l'acceptation complète par vous de telles mises à jour ou modifications. Toute mise à jour/modification sera réputée faire partie du LOGICIEL et s'y intégrer aux fins du présent CLUF. En acceptant le présent CLUF, vous acceptez ces mises à jour/modifications.

INTÉGRALITÉ DU CONTRAT, RENONCIATION, DIVISIBILITÉ

Le présent CLUF et les politiques en matière de respect de la vie privée de SONY, chacune dans leur version amendée et modifiée périodiquement, constituent l'intégralité de l'accord intervenu entre vous et SONY relativement au LOGICIEL. Le fait que SONY n'exerce pas ou ne fasse pas valoir un droit ou une disposition du présent CLUF ne constitue pas une renonciation à ce droit ou à cette disposition. Si une clause du présent CLUF est déclarée non valable, illégale ou inapplicable, cette disposition sera appliquée dans toute la mesure permise afin de préserver l'intention du présent CLUF et ses autres clauses demeureront pleinement en vigueur et continueront à produire pleinement leurs effets.

DROIT APPLICABLE ET JURIDICTION COMPÉTENTE

La Convention des Nations Unies sur les contrats de vente internationale de marchandises ne s'applique pas au présent CLUF. Le présent CLUF est régi par le droit japonais, exception faite des dispositions en matière de conflits de lois. Tout litige découlant du présent CLUF est soumis à la compétence exclusive du tribunal de district de Tokyo, au Japon, et les parties aux présentes acceptent la compétence de ce tribunal.

MOYENS DE RÉPARATION ALTERNATIFS

Nonobstant toute disposition contraire du présent CLUF, vous reconnaissez et acceptez que toute violation ou tout non-respect du présent CLUF de votre fait cause un préjudice irréparable à SONY, pour lequel un dédommagement financier serait inadéquat, et vous acceptez que SONY obtienne toute injonction ou toute mesure de réparation alternative que SONY juge nécessaire ou appropriée dans ces circonstances. SONY peut également exercer tout recours juridique ou technique pour prévenir la violation du présent CLUF

et/ou pour le mettre en œuvre, y compris, notamment, la résiliation immédiate de votre utilisation du LOGICIEL si SONY estime, à son entière discrétion, que vous contrenez ou entendez contrevir au présent CLUF. Ces recours viennent s'ajouter aux éventuels autres recours dont SONY peut disposer en vertu de la loi, des moyens de réparation alternatifs ou aux termes d'un contrat.

RÉSILIATION

Sans préjudice d'aucun de ses autres droits, SONY peut résilier le présent CLUF si vous contrenez à l'une quelconque de ses dispositions. En tel cas de résiliation, vous devez cesser toute utilisation du LOGICIEL et détruire toute éventuelle copie de celui-ci.

MODIFICATION

SONY SE RÉSERVE LE DROIT DE MODIFIER TOUTE DISPOSITION DU PRÉSENT CLUF À SON ENTIÈRE DISCRÉTION EN PUBLIANT UNE NOTICE D'INFORMATION SUR UN SITE INTERNET DÉSIGNÉ PAR SONY, PAR UNE NOTIFICATION ÉLECTRONIQUE ENVOYÉE À L'ADRESSE FOURNIE PAR VOS SOINS, SUR REMISE D'UNE NOTICE D'INFORMATION DANS LE CADRE DE LA PROCÉDURE VOUS PERMETTANT D'OBTENIR DES MISES À NIVEAU/MISES À JOUR OU PAR TOUTS AUTRES MOYENS JURIDIQUEMENT RECONNUS. Si vous refusez la modification, vous devrez contacter SONY dans les meilleurs délais afin de recueillir ses instructions. Toute poursuite de l'utilisation du LOGICIEL par vos soins après la date d'entrée en vigueur d'une telle notice d'information avis sera réputée valoir acceptation de votre part d'être lié par cette modification.

TIERS BÉNÉFICIAIRES

Chaque FOURNISSEUR TIERS est expressément désigné un tiers bénéficiaire du présent CLUF et a le droit de faire appliquer toute disposition de celui-ci pour ce qui concerne son LOGICIEL.

Si vous avez des questions concernant le présent CLUF, vous pouvez contacter SONY par écrit à l'adresse correspondant à chaque zone ou pays.

Droits d'auteur © 2014 Sony Corporation.

Registro de propiedad

El número de serie y del modelo se encuentran en la parte inferior de la barra parlante. Anote el número de serie en el espacio que aparece a continuación. Consúltelo cuando deba llamar a un distribuidor Sony con respecto a este producto.

N.º de modelo HT-CT380/CT780

N.º de serie _____

ADVERTENCIA

Para reducir el riesgo de incendios o electrocución, no exponga el aparato a la lluvia ni a la humedad.

La unidad no estará desconectada de la fuente de alimentación de ca mientras esté conectada a la toma de pared, aunque se haya apagado la propia unidad.

Para reducir el riesgo de incendio, no cubra la abertura de ventilación del dispositivo con periódicos, paños, cortinas, etc.

No exponga el dispositivo a fuentes de llamas vivas (velas encendidas, por ejemplo).

Para reducir el riesgo de incendio o descarga eléctrica, no exponga el dispositivo a goteos ni salpicaduras de líquidos. No coloque objetos llenos de líquido, como vasos, sobre el dispositivo.

Dado que el enchufe del cable de alimentación se utiliza para desconectar la unidad de la fuente de alimentación, conecte la unidad en una toma de ca de fácil acceso. En caso de percibir alguna anomalía en la unidad, desconecte inmediatamente el enchufe del cable de alimentación de la toma de ca.

No sitúe el aparato en un espacio cerrado, como una estantería o un armario empotrado.

No exponga las baterías ni los dispositivos con batería a un calor excesivo, como la luz directa del sol o fuego.

Solo para ser usado en interiores.

Para la barra parlante

La placa de identificación y la fecha de fabricación se encuentran en la parte inferior.

Para clientes en los EE. UU.



Las marcas de precaución se encuentran en la parte inferior (para la barra parlante).



Este símbolo señala al usuario la presencia de "voltaje peligroso" sin aislamiento en el interior del aparato de tal intensidad que podría presentar riesgo de descarga eléctrica.



Este símbolo indica al usuario que el manual que acompaña a este aparato contiene instrucciones importantes referentes a su funcionamiento y mantenimiento.

Instrucciones de seguridad importantes

- 1) Lea estas instrucciones.
- 2) Conserve estas instrucciones.
- 3) Preste atención a las advertencias.
- 4) Siga las instrucciones.
- 5) No utilice este aparato cerca del agua.
- 6) Límpielo sólo con un paño seco.

- 7) No bloquee los orificios de ventilación. Instale el aparato según las instrucciones del fabricante.
- 8) No instale el equipo cerca de fuentes de calor, como radiadores, rejillas de calefacción, estufas u otros aparatos (incluidos amplificadores) que producen calor.
- 9) No anule el propósito de seguridad del enchufe polarizado o enchufe con descarga a tierra. Un enchufe polarizado dispone de dos hojas, una más ancha que la otra. Un enchufe de tipo conexión a tierra tiene dos hojas y una tercera clavija para la conexión a tierra. La hoja ancha o la tercera clavija se proporcionan por razones de seguridad. Si el enchufe suministrado no entra en la toma, contacte a un electricista para que reemplace la toma obsoleta.
- 10) Evite pisar o perforar los cables de alimentación, sobre todo en la parte del enchufe, en los receptáculos y en el punto en el que el cable sale del equipo.
- 11) Use solamente los accesorios indicados por el fabricante.
- 12) Use solamente con el carrito, soporte, trípode, ménsula o mesa indicados por el fabricante, o que se venden con el equipo. Al utilizar el carrito, tenga cuidado al desplazar el carrito con el aparato, para evitar lesiones y que se vuelque el equipo.



- 13) Desenchufe este equipo durante tormentas eléctricas o cuando no se vaya a utilizar por períodos prolongados.
- 14) Consulte a personal de servicio calificado para cualquier mantenimiento. Se requiere servicio de mantenimiento cuando se ha

dañado el equipo de algún modo, tal como cuando se daña el cable o enchufe de alimentación, se ha derramado líquido sobre el equipo o han caído objetos dentro de él, se ha expuesto el equipo a lluvia o humedad o cuando el equipo no opera como de costumbre o se ha dejado caer.

La siguiente declaración de la FCC (Comisión Federal de Comunicaciones) sólo se aplica a la versión de este modelo fabricado para la venta en los EE. UU. Las demás versiones no cumplen con las regulaciones técnicas de la FCC.

NOTA:

Este equipo ha sido sometido a pruebas y se ha determinado que cumple con los límites requeridos por los aparatos digitales de la clase B, en cumplimiento con la Sección 15 de las regulaciones de la FCC. Estas especificaciones han sido diseñadas para proporcionar una protección razonable contra interferencias perjudiciales en una instalación residencial. Este equipo genera, utiliza y puede emitir energía de radiofrecuencia y, de no ser instalado y utilizado de acuerdo con las instrucciones podría ocasionar interferencias perjudiciales en las comunicaciones de radio. No obstante, no se garantiza que no ocurra ninguna interferencia en una instalación particular. Si el presente equipo causa interferencia en la recepción de radio o televisión, que puede determinarse al apagar y encender el equipo, se recomienda que el usuario intente corregir la interferencia mediante una o más de las siguientes medidas:

- Cambie la orientación o ubicación de la antena de recepción.
- Aumente la separación entre el equipo y el receptor.

- Conecte el equipo en una toma de circuito distinta a la que está conectado el receptor.
- Consulte con su distribuidor o con un técnico especializado en radio/televisión para solicitar asistencia.

Es preciso utilizar cables y conectores correctamente blindados y conectados a tierra para la conexión a anfitriones y/o periféricos con el fin de cumplir los límites de emisiones de la FCC.

PRECAUCIÓN

Queda notificado que ante cualquier cambio o modificación que no haya sido aprobado expresamente en este manual se podrían invalidar sus facultades para utilizar este equipo.

Este equipo no debe colocarse ni utilizarse junto con otras antenas o transmisores.

Este equipo cumple con los límites de exposición a la radiación de la FCC establecidos para un ambiente no controlado y cumple con las pautas de exposición a radiofrecuencia (RF) de la FCC. Este equipo tiene niveles muy bajos de energía de RF que se considerará que se cumplen sin la evaluación de exposición máxima permitida (MPE). Sin embargo, este equipo debería ser instalado y operado a una distancia mínima de 20cm entre el dispositivo radiador y el cuerpo de una persona (excluidas las extremidades: manos, muñecas, pies y tobillos).

Para los clientes en Canadá

Utilice conectores y cables debidamente protegidos y con conexión a tierra para conectar a computadoras del host o dispositivos periféricos.

El dispositivo cumple con los RSS exentos de licencia de Industry Canada. Su funcionamiento está sujeto a las dos condiciones siguientes:

- (1) Este dispositivo no debe provocar interferencias; y
- (2) Este dispositivo debe aceptar cualquier interferencia, incluidas las que pueden causar un funcionamiento no deseado.

Este equipo cumple con los límites de exposición a la radiación de la IC establecidos para un ambiente no controlado y cumple con RSS-102 de las normas de exposición a radiofrecuencia (RF) de la IC.

Este equipo tiene niveles muy bajos de energía de RF exigidos sin la evaluación de exposición máxima permitida (MPE). Sin embargo, este equipo debería ser instalado y operado a una distancia mínima de 20cm entre el dispositivo radiador y su cuerpo (excluidas las extremidades: manos, muñecas, pies y tobillos).

Derechos de copyright y marcas comerciales

Este sistema incorpora Dolby* Digital y DTS** Digital Surround System.

* Fabricado bajo licencia de Dolby Laboratories. Dolby y el símbolo de la doble D son marcas comerciales de Dolby Laboratories.

** Para las patentes DTS, consulte <http://patents.dts.com>. Fabricado con licencia de DTS Licensing Limited. DTS, DTS-HD, el símbolo y DTS junto con el símbolo son marcas comerciales registradas de DTS, Inc. © DTS, Inc. Todos los derechos reservados.

La marca de palabra BLUETOOTH® y sus logotipos son marcas comerciales

registradas propiedad de Bluetooth SIG, Inc. y todo uso que Sony Corporation haga de dichas marcas está sujeto a una licencia.

Este sistema incorpora tecnología High-Definition Multimedia Interface (HDMI™).

Los términos HDMI y HDMI High-Definition Multimedia Interface y el logotipo de HDMI son marcas comerciales o marcas comerciales registradas de HDMI Licensing LLC en los Estados Unidos y otros países.

N Mark es una marca comercial o una marca comercial registrada de NFC Forum, Inc. en los Estados Unidos y en otros países.

Android™ y Google Play™ son marcas registradas de Google Inc.

Apple, el logotipo de Apple, iPhone, iPod y iPod touch son marcas comerciales de Apple Inc., registradas en los Estados Unidos y otros países. App Store es una marca de Apple Inc.



“Made for iPod” y “Made for iPhone” significan que un accesorio electrónico ha sido diseñado para conectarse específicamente con iPod o iPhone, respectivamente y que el desarrollador ha certificado que alcanza los estándares de desempeño de Apple. Apple no es responsable por el funcionamiento de este dispositivo ni su cumplimiento de estándares de seguridad y normativos. Tenga en consideración que el uso de este accesorio con iPod o iPhone podría afectar el desempeño inalámbrico.

Modelos de iPod/iPhone compatibles

Los modelos de iPod/iPhone compatibles son los siguientes. Actualice su iPod/iPhone con el último software antes de usar con el sistema.

La tecnología BLUETOOTH funciona con:

iPhone 6 Plus/iPhone 6/iPhone 5s/
iPhone 5c/iPhone 5/iPhone 4s/
iPod touch (5° generación)/
iPod touch (4° generación)

El logotipo de “BRAVIA” es una marca comercial de Sony Corporation.

“DSEE” es una marca comercial de Sony Corporation.

“ClearAudio+” es una marca comercial de Sony Corporation.

“x.v.Color” y el logotipo de “x.v.Color” son marcas comerciales de Sony Corporation.

“PlayStation®” es una marca comercial registrada de Sony Computer Entertainment Inc.

Otras marcas y nombres comerciales tienen sus respectivos propietarios.

Acerca de este manual de instrucciones

- Las instrucciones contenidas en este manual de instrucciones describen los controles en el mando a distancia. También puede utilizar los controles en la unidad principal si tienen los mismos nombres o similares a aquellos en el mando a distancia.
- Algunas ilustraciones se presentan como dibujos conceptuales y pueden ser diferentes de los productos reales.

Tabla de contenidos

Conexión ➔ Guía de inicio (documento separado)

Acerca de este manual de instrucciones	6	Uso de las características de "BRAVIA" Sync	20
Escuchar		Uso de la función de bloqueo parental	21
Escuchar sonido proveniente de un televisor, un reproductor Blu-ray Disc™, caja de cable satélite, etc.	8	Ahorrar energía en modo de espera	21
Escuchar música desde un dispositivo BLUETOOTH	8	Fijación de la barra parlante sobre una pared	22
Ajuste de sonido		Instalación del subwoofer horizontalmente (solo HT-CT380)	24
Disfrutar de efectos de sonido (Modo deportes, etc.)	11	Enlace del sistema (Enlace al subwoofer)	24
BLUETOOTH Funciones		Información adicional	
Controlar el sistema con un teléfono inteligente o dispositivo de tableta (SongPal)	12	Precauciones	25
Ver contenido 4K protegido con derecho de copyright (solo HT-CT780)		Solución de problemas	26
Conexión a un televisor 4K y dispositivos 4K	14	Guía para las partes y los controles	32
Configuraciones y ajustes		Formatos de audio compatibles	36
Uso del visor de configuración	16	Especificaciones	38
Otras funciones		En comunicación BLUETOOTH	40
Uso del Control para la función HDMI	19	CONTRATO DE LICENCIA DE USUARIO FINAL	42

Escuchar

Escuchar sonido proveniente de un televisor, un reproductor Blu-ray Disc™, caja de cable satélite, etc.

Presione **INPUT** en forma repetida.

Al presionar **INPUT** una vez, el dispositivo actual aparece en el visor frontal, luego cada vez que presione **INPUT**, el dispositivo cambia cíclicamente como sigue.

[TV] → [HDMI 1] → [HDMI 2] → [HDMI 3] → [ANALOG] → [BT]

[TV]

Dispositivo digital que está conectado a una toma digital **DIGITAL IN (TV)** o TV compatible con la función de canal de retorno de audio que está conectada a la toma **HDMI OUT (ARC)**

[HDMI 1] [HDMI 2] [HDMI 3]

Reproductor Blu-ray Disc, etc. que está conectado a la toma **HDMI IN 1, 2 o 3**

[ANALOG]

Dispositivo analógico que está conectado a la toma **ANALOG IN**

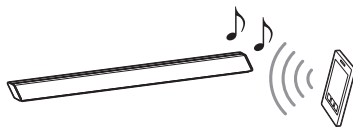
[BT]

Dispositivo **BLUETOOTH** que soporta **A2DP**

Sugerencia

- Si están deshabilitadas las funciones **BLUETOOTH**, **[BT OFF]** aparece en vez de **[BT]**.

Escuchar música desde un dispositivo **BLUETOOTH**



Sincronización de este sistema con un dispositivo **BLUETOOTH**

La sincronización es el proceso requerido para crear un enlace entre los dispositivos **BLUETOOTH** para permitir conexiones inalámbricas. Debe sincronizar un dispositivo con el sistema antes de comenzar a utilizar el sistema. Una vez que los dispositivos **BLUETOOTH** están sincronizados, no hay necesidad de emparejarlos nuevamente.

- 1 Presione **PAIRING** en el sistema.**
El indicador **BLUETOOTH** (azul) parpadea rápidamente durante la sincronización **BLUETOOTH**.
- 2 Encienda la función **BLUETOOTH** en el dispositivo **BLUETOOTH**, busque dispositivos y elija este sistema (**HT-CT380** o **HT-CT780**).**
Si se solicita la clave de paso, ingrese "0000".
- 3 Asegúrese de que el indicador **BLUETOOTH** (azul) esté encendido.**
Se ha establecido la conexión.

Nota

- Puede sincronizar hasta 9 dispositivos BLUETOOTH. Si se sincroniza el décimo dispositivo BLUETOOTH, el dispositivo conectado de mayor antigüedad será reemplazado por el nuevo.

Sugerencia

- Una vez que se ha establecido la conexión BLUETOOTH, se mostrará una indicación que recomienda qué aplicación descargar, según el equipo que haya conectado. Siguiendo las instrucciones que se muestran, se puede descargar una aplicación llamada "SongPal" que le permitirá operar este sistema. Consulte "Controlar el sistema con un teléfono inteligente o dispositivo de tableta (SongPal)" (página 12)

Escuchar música del dispositivo registrado

- 1 Presione INPUT repetidamente para mostrar [BT].**
El indicador BLUETOOTH (azul) parpadea durante el intento de sincronización BLUETOOTH.
- 2 En el dispositivo BLUETOOTH, elija este sistema (HT-CT380 o HT-CT780).**
- 3 Asegúrese de que el indicador BLUETOOTH (azul) esté encendido.**
- 4 Inicie la reproducción en el dispositivo BLUETOOTH.**

Conexión a un dispositivo BLUETOOTH por medio de funciones One-touch (NFC)

Al sostener un dispositivo remoto compatible con NFC cerca de la marca N en el sistema, el sistema y el dispositivo remoto proceden a completar la sincronización y la conexión BLUETOOTH automática.

Dispositivos remotos compatibles
Dispositivos remotos con una función NFC incorporada
(Sistema operativo: Android 2.3.3 o posterior, excluyendo Android 3.x)

- 1 Descargue, instale e inicie la aplicación "Conexión fácil NFC".**

**Nota**

- Es posible que no esté disponible la aplicación en algunos países/regiones.
- 2 Sostenga el dispositivo remoto cerca de la marca N en el sistema hasta que el dispositivo remoto vibre.**



3 Asegúrese de que el indicador BLUETOOTH (azul) esté encendido.

Se ha establecido la conexión.

Notas

- Solo puede conectar un dispositivo a la vez.
- Dependiendo del teléfono inteligente, es posible que tenga que encender la función NFC de antemano. Consulte el manual de instrucciones del teléfono inteligente.

Sugerencia

- Si la sincronización y la conexión BLUETOOTH fallan, haga lo siguiente.
 - Vuelva a iniciar la "Conexión fácil NFC" y mueva lentamente el dispositivo remoto sobre la marca N.
 - Retire la carcasa del dispositivo remoto si utiliza una carcasa de dispositivo remoto disponible comercialmente.

Ajuste de sonido

Disfrutar de efectos de sonido (Modo deportes, etc.)

Puede disfrutar fácilmente de campos de sonido preprogramados que están personalizados para diferentes tipos de fuentes de sonido.

Selección de campo de sonido

Presione SOUND FIELD repetidamente hasta que el campo de sonido deseado aparezca en el visor de panel frontal.

[CLEARAUDIO+]

La configuración de sonido adecuada está automáticamente seleccionada para la fuente de sonido.

[STANDARD]

Corresponde a todas las fuentes.

[MOVIE]

Se reproducen los sonidos con efectos envolventes y son realistas y poderosos, haciéndolos apropiados para películas.

[SPORTS]

Los comentarios son claros, el sonido de los fanáticos alentando se escucha en sonido envolvente y los sonidos son realistas.

[GAME]

Los sonidos son potentes y realistas, apropiados para jugar juegos.

[MUSIC]

Los sonidos se reproducen para concordar con un programa de música, discos Blu-ray Disc o DVD de música.

[P.AUDIO (Audio portátil)]

Los sonidos se reproducen para concordar con un reproductor de música portátil por medio de DSEE*.

* DSEE son las siglas de Digital Sound Enhancement Engine, una tecnología de compensación de alto rango y restauración fina del sonido desarrollada de forma independiente por Sony.

Ajuste del modo noche

Se reproducen los sonidos mejorados con efectos de sonido y claridad de diálogo.

Presione NIGHT para mostrar [N. ON].

Para desactivar el modo Noche, presione NIGHT para mostrar [N. OFF].

Ajuste del modo Voz

El modo Voz ayuda a aclarar los diálogos.

Presione VOICE repetidamente para mostrar el tipo deseado.

[TYPE 1]

El rango de diálogo se emite directamente.

[TYPE 2]

El rango de diálogo está acentuado.

[TYPE 3]

El rango de diálogo está resaltado y amplificadas en las partes agudas con bajo volumen que son difíciles de discernir para las personas mayores.

Controlar el sistema con un teléfono inteligente o dispositivo de tableta (SongPal)

“SongPal” es la aplicación para operar el sistema con su teléfono inteligente o tableta, etc.

“SongPal” está disponible en Google Play o App Store.

Esta función se activa al configurar [BT PWR] en [ON] (página 17). La configuración predeterminada es [ON].

Al usar un dispositivo con Android

- 1 Presione I/⏻ (encendido/en espera) en el mando a distancia.**
El visor de la barra parlante se ilumina.
- 2 Busque “SongPal” con el dispositivo con Android y descargue esa aplicación.**
- 3 Ejecute “SongPal” y siga las instrucciones que se muestran en la pantalla.**

Sugerencia

- Si aparece la visualización para la conexión NFC, ver “Conexión de una pulsación con el dispositivo con Android con la función NFC incorporada (NFC)”.

- 4 Después de aparecer la visualización de conexión BLUETOOTH en el dispositivo con Android, presione PAIRING.**

El indicador BLUETOOTH (azul) parpadea rápidamente durante la sincronización BLUETOOTH.

- 5 Seleccione este sistema (HT-CT380 o HT-CT780) de la lista de dispositivos BLUETOOTH del dispositivo con Android.**

Cuando se ha establecido la conexión, el indicador BLUETOOTH (azul) se enciende.

- 6 Utilice el sistema con la pantalla del dispositivo con Android que esté conectado.**

Conexión de una pulsación con el dispositivo con Android con la función NFC incorporada (NFC)

- 1 Realice los pasos 1 al 3 de “Al usar un dispositivo con Android”.**
- 2 Después de que aparezca la pantalla de conexión BLUETOOTH en el dispositivo con Android, toque el dispositivo con Android con la marca N en la barra parlante.**
Cuando se ha establecido la conexión, el indicador BLUETOOTH (azul) se enciende.
- 3 Utilice el sistema con la pantalla del dispositivo con Android.**

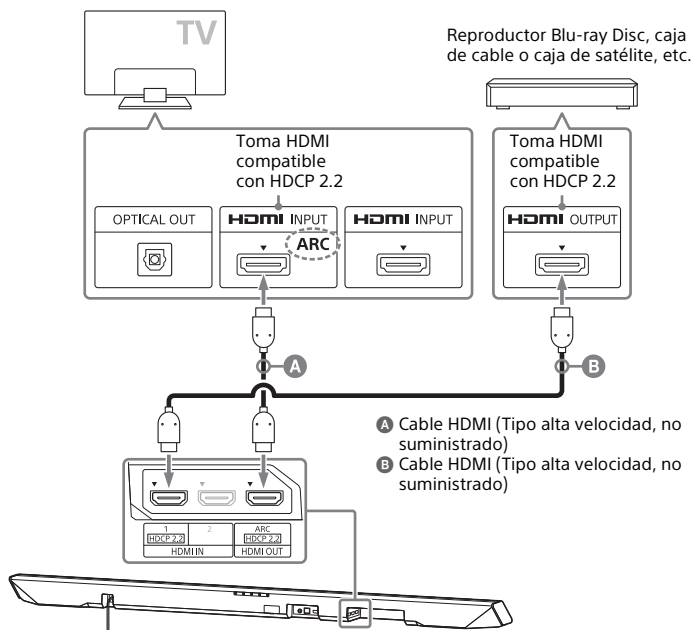
Al usar un iPhone/iPod touch

- 1 Presione I/⏻ (encendido/en espera) en el mando a distancia.**
El visor de la barra parlante se ilumina.
- 2 Pulse PAIRING.**
El indicador BLUETOOTH (azul) parpadea rápidamente durante la sincronización BLUETOOTH.
- 3 Configure el iPhone/iPod touch en modo de sincronización y seleccione este sistema (HT-CT380 o HT-CT780) de la lista de dispositivos BLUETOOTH en el iPhone/iPod touch.**
Cuando se ha establecido la conexión, el indicador BLUETOOTH (azul) de la barra parlante se ilumina.
- 4 Busque "SongPal" con el iPhone/iPod touch conectado y descargue esa aplicación.**
- 5 Ejecute "SongPal" y utilice el sistema con la pantalla del iPhone/iPod touch.**

Conexión a un televisor 4K y dispositivos 4K

Para ver contenido 4K protegido con derecho de copyright, conecte los dispositivos vía una toma HDMI compatible con HDCP 2.2 en cada extremo. El contenido protegido con derecho de copyright se puede ver solo por medio de una conexión vía tomas HDMI compatibles con HDCP 2.2. Consulte las instrucciones de operación de televisor sobre si la toma HDMI del televisor es compatible con HDCP 2.2 o no.

Cuando la toma HDMI del televisor es compatible con HDCP 2.2 y está etiquetada con ARC

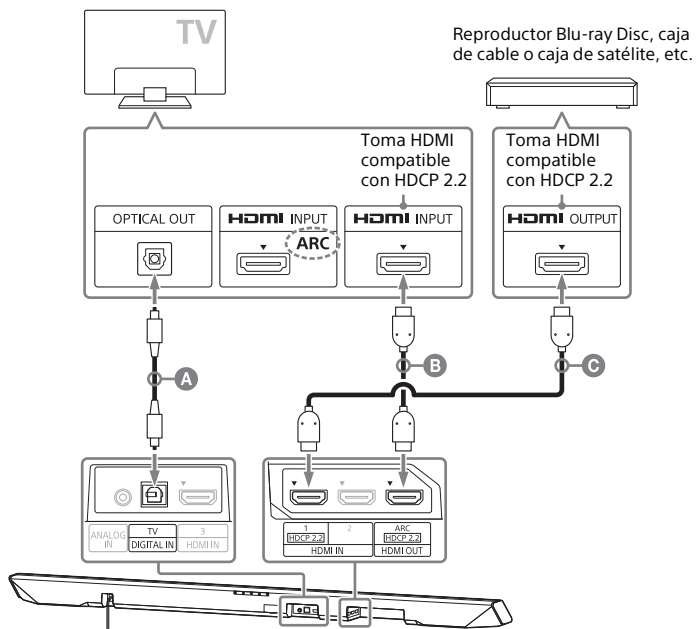


Consejos

- La toma HDMI 1 INPUT de la barra parlante es compatible con HDCP 2.2.
- La función ARC (Canal de retorno de audio) envía sonido digital desde un televisor a este sistema o un amplificador AV utilizando solo un cable HDMI.

Cuando la toma HDMI del televisor es compatible con HDCP 2.2 y no está etiquetada con ARC

Conecte el cable digital óptico a la toma de salida óptica del televisor y un cable HDMI a la toma de entrada HDMI compatible con HDCP 2.2.



- A Cable digital óptico (suministrado)
- B Cable HDMI (Tipo alta velocidad, no suministrado)
- C Cable HDMI (Tipo alta velocidad, no suministrado)

Sugerencia

- La toma HDMI 1 INPUT de la barra parlante es compatible con HDCP 2.2.

Uso del visor de configuración

Puede ajustar las siguientes cosas con el menú.

Los ajustes se mantienen aún si desconecta el cable de alimentación de ca.

- 1** Presione **MENU** para encender el menú en el visor del panel frontal.
- 2** Presione **BACK/▲ ▼** (seleccionar)/**ENTER** repetidamente para seleccionar lo que desea y presione **ENTER** para decidir el ajuste.
- 3** Presione **MENU** para apagar el menú.

Lista de menú

Los ajustes por defecto están subrayados.

Elementos de menú		Función
[LEVEL] (Nivel)	[DRC] (Campo de ajuste dinámico)	Útil para disfrutar de películas a volumen bajo. DRC aplica a fuentes Dolby Digital. <ul style="list-style-type: none">• [ON]: Comprime el sonido según la información existente en el contenido.• [AUTO]: Comprime automáticamente el sonido codificado en Dolby TrueHD.• [OFF]: El sonido no está comprimido.
[TONE] (Tono)	[BASS] (Bajos)	Ajusta el nivel de bajos. <ul style="list-style-type: none">• El rango de parámetro de [-6] a [+6] en incrementos de 1 paso.
	[TREBLE] (Agudos)	Ajusta el nivel de agudos. <ul style="list-style-type: none">• El rango de parámetro de [-6] a [+6] en incrementos de 1 paso.
[AUDIO] (Audio)	[SYNC] (Sinc AV)	Puede ajustar el sonido cuando la imagen y el sonido no están sincronizados. <ul style="list-style-type: none">• [ON]: Enciende la función Sinc AV.• [OFF]: Apaga la función Sinc AV.
	[DUAL] (Mono dual)	Puede disfrutar de sonido de emisión multiplex cuando el sistema recibe una señal de emisión multiplex Dolby Digital. <ul style="list-style-type: none">• [M/S]: El sonido principal se emite del altavoz izquierdo y el sub-sonido se emite por el altavoz derecho.• [MAIN]: Da salida solo al canal principal.• [SUB]: Da salida solo al subcanal.

Elementos de menú		Función
[AUDIO] (Audio)	[EFFECT] (Efecto de sonido)	<ul style="list-style-type: none"> • [ON]: Se reproduce el campo acústico seleccionado. Se recomienda usar esta configuración. • [OFF]: La fuente de entrada está mezclada para 2 canales. <p>Nota</p> <ul style="list-style-type: none"> • Incluso si [EFFECT] está puesto en [OFF], [EFFECT] pasa automáticamente a [ON] cuando usted modifica la configuración del campo de sonido.
	[STREAM] (Transmisión)	Muestra la información de transmisión de audio actual. Ver la página 37 en los formatos de audio compatibles.
[HDMI]	[CTRL] (Control para HDMI)	<ul style="list-style-type: none"> • [ON]: Enciende la función Control para HDMI. • [OFF]: Apaga la función. Elija este ajuste cuando desea conectar un dispositivo no compatible con el Control para la función HDMI.
	[S. THRU] (En espera-paso)	<p>Puede ajustar el modo de ahorro de energía de la función en espera-paso de HDMI.</p> <ul style="list-style-type: none"> • [AUTO]: Emite señales de la toma HDMI OUT del sistema en modo en espera según el estado del televisor. Esta configuración ahorra energía en modo de espera en comparación con la configuración [ON]. • [ON]: Siempre emite señales desde la toma de HDMI OUT en modo en espera. Si se conecta un televisor que no es "BRAVIA", use el sistema con la configuración [ON]. <p>Nota</p> <ul style="list-style-type: none"> • Este elemento aparece solo cuando [CTRL] está configurado en [ON].
	[ARC] (Canal de retorno de audio)	<p>Ajuste este punto para escuchar el sonido digital de un televisor compatible con la tecnología Canal de retorno de audio (ARC) que está conectado a través de un cable HDMI de alta velocidad.</p> <ul style="list-style-type: none"> • [ON]: Enciende la función ARC. • [OFF]: Apaga la función ARC. <p>Nota</p> <ul style="list-style-type: none"> • Este elemento aparece solo cuando [CTRL] está configurado en [ON].
[SET BT] (Configurar BLUETOOTH)	[BT PWR] (encendido/apagado de BLUETOOTH)	<p>Enciende y apaga la función BLUETOOTH de este sistema.</p> <ul style="list-style-type: none"> • [ON]: Enciende la función BLUETOOTH. • [OFF]: Apaga la función BLUETOOTH. <p>Nota</p> <ul style="list-style-type: none"> • Si cambia el ajuste a [OFF], la función BLUETOOTH se deshabilita.
	[BT.STBY] (BLUETOOTH en espera)	<p>Cuando el sistema termina de sincronizar la información, se encuentra en modo de espera de BLUETOOTH incluso si está apagado.</p> <ul style="list-style-type: none"> • [ON]: El modo en espera de BLUETOOTH está habilitado. • [OFF]: El modo en espera de BLUETOOTH está deshabilitado. <p>Nota</p> <ul style="list-style-type: none"> • Si el sistema no tiene información de sincronización, no se puede configurar el modo en espera de BLUETOOTH.

Elementos de menú		Función
[SET BT] (Configurar BLUETOOTH)	[AAC] (Codificación de audio avanzado)	Puede configurar si el sistema usará o no AAC a través de BLUETOOTH. <ul style="list-style-type: none"> • [ON]: El sistema utiliza AAC vía BLUETOOTH. • [OFF]: El sistema no lo utiliza.
	<p>Nota</p> <ul style="list-style-type: none"> • Si el ajuste de configuración se modifica mientras el sistema está conectado a un dispositivo BLUETOOTH, el sistema se desconectará del dispositivo. 	
[SYSTEM] (Sistema)	[A. STBY] (Modo de espera automático)	Puede reducir el consumo de energía. El sistema pasa automáticamente a modo de espera cuando no opera el sistema durante unos 20 minutos y el sistema no recibe una señal de entrada. <ul style="list-style-type: none"> • [ON]: Enciende la función de espera automática. • [OFF]: Apaga la función.
	[VER] (Versión)	La versión de firmware actual aparece en el visor del panel frontal.
	[SYS.RST] (Reinicio del sistema)	Puede reiniciar los menús y las configuraciones (campo acústico, etc.) del sistema a su estado inicial cuando no funciona adecuadamente (página 31).
	[UPDATE]* (Actualizar)	Se anunciarán las actualizaciones en el sitio web de Sony. Actualice el sistema siguiendo las instrucciones en el sitio web.
[WS] (Sonido inalámbrico)	[LINK]	Puede enlazar nuevamente el sistema de sonido inalámbrico (página 24).
	[RF CHK] (Revisión RF)	Puede verificar si el sistema de sonido inalámbrico de este sistema puede comunicarse o no. <ul style="list-style-type: none"> • [OK]: El sistema de sonido inalámbrico trabaja. • [NG]: El sistema de sonido inalámbrico no trabaja.

* Solo HT-CT780

Uso del Control para la función HDMI

Al usar el Control para la función HDMI y conectar el dispositivo compatible con el Control para la función HDMI a través de un cable HDMI (tipo alta velocidad), se simplifica el funcionamiento con las siguientes características.

El Control para la función HDMI se activa al configurar [CTRL (Control para HDMI)] en [ON] (página 17). La configuración predeterminada es [ON].

Control para HDMI es una función de control mutuo estándar utilizada por HDMI CEC (Control de electrónicos para el consumidor) para HDMI (Interfaz multimedia de alta definición).

Apagado del sistema

Si apaga el televisor, el sistema y el dispositivo conectado se apagan automáticamente.

Control de audio del sistema

Si enciende el sistema mientras está mirando televisión, el sonido del televisor saldrá por los altavoces del sistema de forma automática. El volumen del sistema se ajustará cuando ajuste el volumen utilizando el mando a distancia del televisor. Si la salida del sonido del televisor se produjo a través de los altavoces del sistema la última vez que miró el televisor, el sistema se encenderá automáticamente al encender el televisor nuevamente.

Canal de retorno de audio (ARC)

Si el televisor es compatible con la tecnología de Canal de retorno de audio (ARC), una conexión con cable HDMI le permitirá escuchar el sonido del televisor desde los altavoces del sistema.

La función ARC se activa al configurar [ARC (Canal de retorno de audio)] en [ON] (página 17). La configuración predeterminada es [ON].

Reproducción One-Touch

Cuando usted activa el dispositivo (reproductor Blu-ray Disc, "PlayStation®4," etc.) conectado al sistema con un cable HDMI de alta velocidad, el televisor conectado se enciende automáticamente y la señal de salida del sistema se cambia a la entrada HDMI apropiada.

Control de cine en casa

Si un televisor compatible con control de cine en casa está conectado al sistema, el menú del sistema aparece en el televisor conectado. Puede cambiar una entrada del sistema o cambiar los campos de sonido utilizando el mando a distancia de su televisor. También puede ajustar las configuraciones del nivel de voz, volumen de subwoofer, bajos, agudos, modo noche, mono dual, o Sinc A/V.

Su televisor debe ser capaz de acceder al servicio de banda ancha para utilizar la función de Control de cine en casa.

Notas

- Las características antes descritas pueden no funcionar para ciertos dispositivos.
- Dependiendo de la configuración del dispositivo conectado, es posible que el control para la función HDMI no funcione correctamente. Consulte el manual de instrucciones del dispositivo.

Uso de las características de "BRAVIA" Sync

Las características originales de Sony que se indican a continuación también se pueden usar con productos que sean compatibles con "BRAVIA" Sync.

Ahorro de energía

Si se conecta al sistema un televisor compatible con "BRAVIA" Sync, el consumo de energía se reduce mediante el modo en espera que detiene la transmisión de la señal HDMI cuando se apaga el televisor con la función "standby-through" de HDMI* del sistema configurada en [AUTO] (página 17). La configuración predeterminada es [AUTO].

Si se conecta un televisor que no es "BRAVIA", configure el ítem en [ON] (página 17).

* La función "standby-through" de HDMI se utiliza para la salida de señales desde la toma HDMI OUT de este sistema incluso si está en modo en espera.

Notas sobre conexiones HDMI

- Use un cable HDMI de alta velocidad. Si usa un cable HDMI estándar, es posible que el contenido 1080p, Deep Color, 3D, y 4K no se muestren correctamente.
- Use un cable HDMI autorizado. Utilice un cable HDMI Sony de alta velocidad con el logotipo del tipo de cable.
- No recomendamos usar un cable de conversión HDMI-DVI.
- Si la imagen es deficiente o si el sonido no se emite desde un equipo conectado a través del cable HDMI, compruebe la configuración del equipo conectado.
- Las señales de audio (frecuencia de muestreo, longitud de bits, etc.)

transmitidas desde una toma HDMI pueden estar suprimidas por el equipo conectado.

- Es posible que el sonido se interrumpa cuando se cambie la frecuencia de muestreo o el número de canales de las señales de salida de audio del equipo de reproducción.
- Si el componente conectado no es compatible con la tecnología de protección de derechos de autor (HDCP), es posible que la imagen y el sonido de la toma HDMI OUT de este sistema se distorsionen o no se emitan. En ese caso, compruebe las especificaciones del equipo conectado.
- Cuando "TV" está seleccionado como fuente de entrada del sistema, las señales de video provenientes de las tomas HDMI IN 1/2/3 que se seleccionaron la última vez se transmiten desde la toma HDMI OUT.
- Este sistema es compatible con transmisión Deep Color, "x.v.Color", 3D y 4K.
- Para disfrutar de contenido 3D, conecte equipos de televisión y video compatibles con 3D (reproductor de Blu-ray Disc, "PlayStation 4", etc.) al sistema utilizando cables HDMI de alta velocidad, póngase anteojos 3D y reproduzca el Blu-ray Disc con contenido compatible 3D, etc.
- Para disfrutar contenido 4K, el televisor y los reproductores conectados al sistema deben ser compatibles con contenido 4K.

Uso de la función de bloqueo parental

Los botones en la barra parlante, excepto por el botón **I/⏻** (encendido/en espera), será deshabilitado.

Presione INPUT en la barra parlante por durante 5 segundo cuando el sistema está encendido.

En la pantalla aparece [LOCKED].
Para cancelar la función de bloqueo parental, presione INPUT nuevamente durante unos 5 segundo para mostrar [UNLOCK].

Ahorrar energía en modo de espera

Verifique que haya realizado los siguientes ajustes:

- [CTRL] en [HDMI] está en [OFF] (página 17).
- [S. THRU] en [HDMI] en [AUTO] (página 17).

Fijación de la barra parlante sobre una pared

Puede fijar la barra parlante sobre una pared.

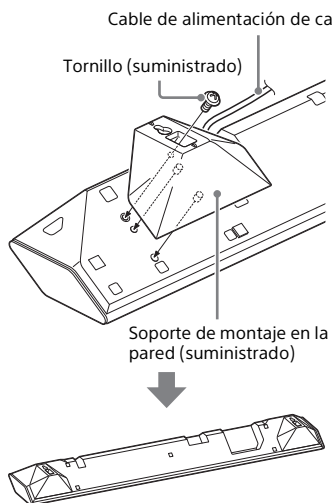
Notas

- Prepare tornillos (no suministrados) que sean apropiados para el material y la fortaleza de la pared. Debido a que una pared de yeso es especialmente frágil, asegure los tornillos a dos tacos en la viga de la pared. Instale la barra parlante de manera horizontal, colgado en tacos mediante tornillos en una sección plana y continua de la pared.
- Asegúrese de subcontratar la instalación a proveedores o contratistas licenciados de Sony y preste especial atención a la seguridad durante la instalación.
- Sony no se hará responsable de accidentes o daños ocasionados por la instalación incorrecta, fortaleza insuficiente de la pared, instalación incorrecta de los tornillos o desastre natural, etc.

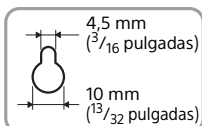
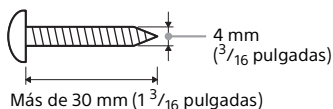
- 1 Fije los soportes de montaje en la pared suministrados a los agujeros de soporte en la parte inferior de la barra parlante con los tornillos suministrados para que la superficie de cada soporte de montaje sea igual a la que se muestra en la ilustración.

Fije los dos soportes de montaje en la pared a los agujeros de montaje izquierdos y derechos en la parte inferior de la barra parlante.

Ejemplo ilustrativo: HT-CT780



- 2 Prepare tornillos (no suministrados) que sean apropiados para los agujeros en los soportes.**

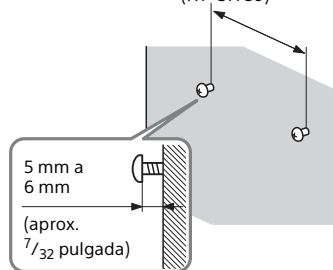


Agujero en el soporte

- 3 Sujete los tornillos a dos tacos en la pared.**

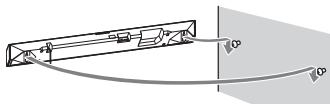
Los tornillos deben sobresalir de 5 mm a 6 mm (aprox. $\frac{7}{32}$ pulgada).

777,5 mm
($30 \frac{76}{125}$ pulgadas)
(HT-CT380)
876 mm
($34 \frac{1}{2}$ pulgadas)
(HT-CT780)



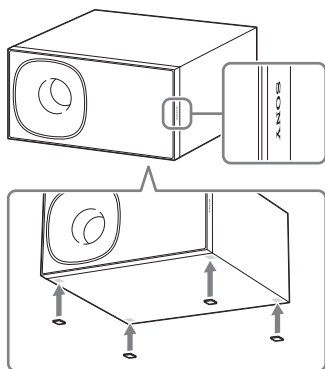
- 4 Cuelgue la barra parlante en los tornillos.**

Alinee los agujeros de los soportes con los tornillos, luego cuelgue la barra parlante en los dos tornillos.



Instalación del subwoofer horizontalmente (solo HT-CT380)

Posicione el subwoofer de modo que el logotipo "SONY" quede del lado derecho orientado hacia el lado frontal.



Adjunte las almohadillas para parlante suministradas.

Enlace del sistema (Enlace al subwoofer)

Configurar la conexión subwoofer inalámbrica nuevamente.

- 1 Pulse MENU.**
- 2 Seleccione [WS] con \uparrow \downarrow (seleccionar), luego presione ENTER.**
- 3 Seleccione [LINK] con \uparrow \downarrow (seleccionar), luego presione ENTER.**
- 4 Cuando [START] aparece en la pantalla, presione ENTER.**
Aparece [SEARCH] y la barra parlante busca un dispositivo que se pueda usar con Link. Avance al siguiente paso dentro de 1 minuto. Para dejar la función de enlace mientras busca un dispositivo, presione BACK.
- 5 Presione LINK en el subwoofer.**
El indicador de encendido/en espera del subwoofer se ilumina de color verde. Aparece [OK] en el visor de la barra parlante.
Si aparece [FAILED], verifique que el subwoofer esté encendido y vuelva a realizar el proceso desde el paso 1.
- 6 Pulse MENU.**
Se apaga el menú.

Precauciones

Seguridad

- En caso de que caiga algún objeto sólido o líquido dentro del sistema, desconéctelo y solicite al personal especializado que realice una verificación antes de volver a utilizarlo.
- No se apoye en la barra parlante y el subwoofer, dado que podría caerse y lastimarse, o podría ocasionar daños en el sistema.

Fuentes de alimentación

- Antes de conectar el sistema, compruebe que la tensión de funcionamiento sea idéntica a su fuente de alimentación local. La tensión de funcionamiento se indica en la placa de identificación en la parte inferior de la barra parlante.
- Si no va a utilizar el sistema por un tiempo prolongado, asegúrese de desconectarlo de la toma de pared. Para desconectar el cable de alimentación de ca, tire del enchufe, nunca del cable.
- Una clavija del enchufe es más ancha que la otra por motivos de seguridad y entrará en la toma de pared de una sola manera. Si no puede insertar la totalidad del enchufe en la toma, comuníquese con su proveedor.
- El cable de alimentación de ca solo deberá ser reemplazado en un centro de servicio autorizado.

Acumulación térmica

Si bien el sistema se calienta durante su funcionamiento, no se trata de una falla de funcionamiento. El uso prolongado de este sistema con un volumen alto puede provocar un incremento considerable en la temperatura de la parte trasera e inferior del mismo. Para evitar quemaduras, no toque el sistema.

Ubicación

- Instale el sistema en un lugar con ventilación adecuada para evitar la acumulación térmica y prolongar su vida útil.
- No lo instale cerca de fuentes de calor ni en lugares expuestos a la luz solar directa, polvo excesivo, vibraciones mecánicas.
- No coloque objetos en la parte posterior de la barra parlante y del subwoofer que puedan bloquear las ranuras de ventilación y ocasionar fallas de funcionamiento.
- Si el sistema se utiliza junto con un televisor, video grabadora o lector de cintas, puede ocasionar ruido y la calidad de imagen se podría ver afectada. En este caso, coloque el sistema lejos del televisor, video grabadora o lector de cintas.
- Tenga cuidado al colocarlo sobre una superficie que haya sido tratada de manera especial (encerada, barnizada con aceite, pulida, etc.), ya que puede mancharse o decolorarse.
- Tenga cuidado para evitar posibles lesiones producidas con los bordes de la barra parlante y del subwoofer.
- Mantenga 3 cm o más espacio bajo la barra parlante al colgarla en la pared.

Funcionamiento

Antes de conectar otro equipo, asegúrese de apagar y desenchufar el sistema.

Si encuentra irregularidad de color en una pantalla de televisión cercana

- Se pueden observar irregularidades de color en determinados tipos de televisores.
- Si se observa una irregularidad de color... Apague el televisor y luego vuelva a encenderlo después de 15 a 30 minutos.
 - Si se vuelve a observar una irregularidad de color... Instale el sistema más lejos del televisor.

Limpieza

Limpie el sistema con un paño seco y suave. No utilice estropajos abrasivos, detergente en polvo ni disolventes, como alcohol o bencina.

Si desea realizar alguna pregunta o solucionar algún problema relacionado con el sistema, póngase en contacto con el distribuidor Sony más cercano.

Solución de problemas

Si al utilizar el sistema, surge alguna de las siguientes dificultades, consulte esta guía de solución de problemas para resolver el inconveniente antes de solicitar reparaciones. Si el problema persiste, póngase en contacto con el distribuidor Sony más cercano.

General

El aparato no enciende.

→ Compruebe que el cable de alimentación de ca esté bien conectado.

El sistema no trabaja con normalidad.

→ Desconecte el cable de alimentación de ca de la toma de pared, luego reconecte después de varios minutos.

El sistema se apagó automáticamente.

→ La función de espera automática está activada. Ajuste [A. STBY] en [SYSTEM] en [OFF] (página 18).

Sonido

No se emiten sonidos del televisor desde el sistema.

→ Presione repetidamente el botón INPUT en el mando a distancia para mostrar [TV] en la pantalla (consulte la Guía de inicio suministrada).

→ Encienda el televisor, luego el sistema. Ajuste la configuración de los altavoces del televisor (BRAVIA) a Sistema de audio. Consulte el manual de instrucciones del televisor para configurar el televisor.

→ Compruebe la conexión del cable HDMI, cable digital óptico o del cable de audio que está conectado

al sistema y al televisor (consulte la Guía de inicio suministrada).

- Suba el volumen del televisor o cancele el silencio.
- Cuando un televisor compatible con la tecnología Canal de retorno de audio (ARC) está conectado con un cable HDMI, asegúrese de que el cable esté conectado a la toma HDMI (ARC) del televisor. Si no se emite el sonido o se corta, conecte el cable digital óptico suministrado y ponga el [ARC] en [OFF] en el menú (página 17). (Consulte la Guía de inicio proporcionada respecto a la conexión.)
- Si el televisor no es compatible con la tecnología de Canal de retorno de audio (ARC), conecte el cable digital óptico. El sonido del televisor no se emite vía una conexión HDMI (consulte la Guía de inicio suministrada).
- Si no se emite ningún sonido desde la toma de salida digital óptica o el televisor no tiene una toma de salida digital óptica, conecte la caja de cable o satélite directamente a la toma DIGITAL IN (TV) del sistema.




El sonido se emite desde el sistema y el televisor.

- Apague el sonido del televisor.

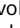
El sonido del televisor de este sistema está demorado con respecto a la imagen.

- Si [SYNC] está puesto en [ON], ajústelo a [OFF] (página 16).
- Cuando mira películas, es posible que escuche el sonido con un leve retraso en comparación con la imagen.

No hay sonido o se oye un sonido muy bajo del dispositivo conectado a la barra parlante desde la barra parlante.

- Presione el botón  (volumen) + en el mando a distancia y revise el nivel de volumen (página 32).
- Presione el botón  (silencio) o  (volumen) + en el mando a distancia para cancelar la función de silencio (página 32).
- Asegúrese de que se haya seleccionado la fuente de entrada de forma correcta. Debe probar otras fuentes de entrada presionando el botón INPUT en el mando a distancia varias veces (página 8).
- Compruebe que todos los cables del sistema y de los dispositivos conectados estén totalmente insertados.

No hay sonido o se oye un sonido muy bajo desde el subwoofer.

- Presione el botón SW  (volumen de subwoofer) + en el mando a distancia para aumentar el volumen del subwoofer (página 32).
- Asegúrese de que el indicador de encendido/en espera del subwoofer esté iluminada de color verde. De no ser así, consulte "No se escuchan sonidos desde el subwoofer." en "Sonido inalámbrico del subwoofer" (página 29).
- Un subwoofer sirve para reproducir sonidos graves. En caso de fuentes de entrada que contienen muy pocos componentes de sonidos graves (es decir, una transmisión televisiva), es posible que sea difícil oír el sonido del subwoofer.
- Cuando usted reproduce contenido compatible con la tecnología de protección de derechos de autor (HDCP), no se emite desde el subwoofer.

No se puede obtener el efecto de sonido envolvente.

- Dependiendo de la señal de entrada y de la configuración del campo acústico, el procesamiento de sonido envolvente podría no funcionar de forma efectiva. El efecto envolvente puede ser sutil según el programa o el disco.
- Para emitir audio multicanal, compruebe la configuración de salida de audio digital en el dispositivo conectado al sistema. Para conocer más detalles, consulte el manual de instrucciones suministrado con el dispositivo conectado.

Dispositivo BLUETOOTH

No se puede completar la conexión BLUETOOTH.

- Asegúrese de que el indicador BLUETOOTH (azul) esté encendido (página 32).

Estado del sistema	Indicador BLUETOOTH (azul)
Durante la sincronización BLUETOOTH	Parpadea rápidamente
El sistema intenta conectarse con un dispositivo BLUETOOTH	Parpadea
El sistema ha establecido una conexión con un dispositivo BLUETOOTH	Encendido
El sistema está en el modo de espera de BLUETOOTH (cuando el sistema está apagado)	Apagado

- Compruebe que el dispositivo BLUETOOTH a conectarse esté encendido y que la función BLUETOOTH esté activada.
- Acerque el sistema al dispositivo BLUETOOTH.

- Sincronice nuevamente el sistema y el dispositivo BLUETOOTH. Puede que necesite cancelar la sincronización con el sistema usando primero su dispositivo BLUETOOTH.
- Si [BT PWR] del sistema está puesto en [OFF], póngalo en [ON] (página 17).

No se pudo realizar la sincronización.

- Acerque el sistema y el dispositivo BLUETOOTH (página 8).
- Asegúrese de que este sistema no está recibiendo interferencia de un equipo LAN inalámbrica, otros dispositivos inalámbricos de 2,4 GHz o un horno microondas. Si hay un dispositivo que genera radiación electromagnética cerca, aleje el dispositivo del sistema.

No se emiten sonidos desde el dispositivo BLUETOOTH conectado.

- Asegúrese de que el indicador BLUETOOTH (azul) esté encendido (página 32).
- Acerque el sistema al dispositivo BLUETOOTH.
- Si hay un dispositivo que genera radiación electromagnética, como por ejemplo un equipo LAN inalámbrica, otros dispositivos BLUETOOTH o un horno microondas cerca, aleje el dispositivo del sistema.
- Retire cualquier obstáculo entre este sistema y el dispositivo BLUETOOTH o aparte el sistema del obstáculo.
- Vuelva a posicionar el dispositivo BLUETOOTH conectado.
- Intente cambiar la frecuencia inalámbrica del enrutador Wi-Fi, computadora, etc., a la banda de 5 GHz
- Suba el volumen en el dispositivo BLUETOOTH conectado.

El sonido no está sincronizado con la imagen.

- Cuando mira películas, es posible que escuche el sonido con un leve retraso en comparación con la imagen.

Sonido inalámbrico del subwoofer

No se escuchan sonidos desde el subwoofer.

- Compruebe que el cable de alimentación de ca del subwoofer esté correctamente conectado.
- El indicador de encendido/en espera no se ilumina.
 - Compruebe que el cable de alimentación de ca del subwoofer esté correctamente conectado.
 - Presione el botón I/⏻ (encendido/en espera) del subwoofer para encender la energía.
- El indicador de encendido/en espera parpadea lentamente en color verde o se ilumina en color rojo.
 - Mueva el subwoofer a una ubicación cercana a la barra parlante para que el indicador de encendido/en espera se ilumine en color verde.
 - Siga los pasos en “Enlace del sistema (Enlace al subwoofer)” (página 24).
 - Compruebe el estado de comunicación del sistema de sonido inalámbrico mediante [RF CHK] del menú (página 18).
- El indicador de encendido/en espera parpadea rápidamente en color verde.
 - Consulte a su proveedor de Sony más cercano.

- El indicador de encendido/en espera parpadea en color rojo.
 - Presione el botón I/⏻ (encendido/en espera) del subwoofer para apagar la energía y compruebe si el orificio de ventilación del subwoofer está bloqueado o no.
- El subwoofer está diseñado para reproducir sonidos graves. Cuando la fuente de entrada no contiene muchos sonidos graves, como es el caso de la mayoría de los programas televisivos, es posible que no se escuche el sonido grave.
- Presione el botón SW ◀ (volumen de subwoofer) + en el mando a distancia para aumentar el volumen del subwoofer (página 35).

El sonido salta o tiene ruido.

- Si hay un dispositivo cerca que genera ondas electromagnéticas como una LAN inalámbrica o un horno microondas en uso, instale el sistema lejos del mismo.
- Si hay un obstáculo entre la barra parlante y el subwoofer, muévelo o quítelo.
- Instale la barra parlante y el subwoofer lo más cerca posible.
- Cambie la frecuencia LAN de cualquier enrutador Wi-Fi o computadora personal cercanos a la banda de 5 GHz
- Cambie el televisor, el reproductor Blu-ray Disc, etc. de LAN inalámbrico a LAN alámbrico.

Mando a distancia

El mando a distancia no funciona.

- Apunte el mando a distancia al centro del panel frontal (sensor del mando a distancia) del sistema (página 32).

- Retire cualquier obstáculo que se interponga entre el mando a distancia y el sistema.
- Si las pilas del mando a distancia tienen poca energía, reemplace ambas por otras nuevas.
- Asegúrese de presionar el botón correcto en el mando a distancia.

El mando a distancia del televisor no funciona.

- Instale la barra parlante de modo que no obstruya al sensor de mando a distancia del televisor.

Otros

La función de Control para HDMI no funciona correctamente.

- Revise la conexión HDMI (consulte la Guía de inicio suministrada).
- Configure la función Control para HDMI en el televisor. Consulte el manual de instrucciones proporcionado con el televisor para ver la configuración del televisor.
- Si conecta/desconecta el cable de alimentación de ca, espere al menos 15 segundos antes de operar el sistema.
- Asegúrese de que cualquier dispositivo conectado sea compatible con "BRAVIA" Sync.
- Compruebe los ajustes de Control para HDMI en el dispositivo conectado. Consulte el Manual de instrucciones suministrado con el dispositivo conectado.
- Si conecta la salida de audio del dispositivo de video con el sistema, usando un cable que no sea un cable HDMI, no saldrá ningún sonido debido a la función Control para HDMI. En un caso así, configure [CTRL (Control para HDMI)] en [HDMI] en [OFF] (página 17) o conecte el cable desde la toma de

salida de audio del dispositivo de video directamente al televisor.

- El tipo y número de dispositivos que se pueden controlar con la característica "BRAVIA" Sync están restringidos por el estándar HDMI CEC como sigue:
 - Dispositivos de grabación (grabador Blu-ray Disc, grabador de DVD, etc.): hasta 3
 - Dispositivos de reproducción (reproductor Blu-ray Disc, reproductor de DVD, etc.): hasta 3
 - Dispositivos relacionados con el sintonizador: hasta 4
 - Sistema de audio (receptor/auriculares): hasta 1 (incluido este sistema)

No se emite imagen del televisor cuando la barra parlante está en modo en espera.

- Asegúrese de que [S. THRU] está puesto en [ON] (página 17).

Si [PRTECT (proteger)] aparece en el visor del panel frontal de la barra parlante.

- Presione el botón I/⏻ (encendido/en espera) en la barra parlante para apagar el sistema. Cuando el visor deje de parpadear, desconecte el cable de alimentación de ca y corrobore que no haya ningún obstáculo que bloquee los orificios de ventilación del sistema.

El visor del panel frontal de la barra parlante no está encendido.

- Pulse DIMMER para fijar el brillo en brillante u oscuro, si está apagado (página 35).

Los sensores del televisor no funcionan correctamente.

- La barra parlante puede bloquear algunos sensores (como el sensor de brillo) y el receptor del mando a

distancia de su televisor, o el "emisor para los anteojos 3D (transmisión infrarroja)" de un televisor 3D compatible con el sistema de anteojos 3D o la comunicación inalámbrica. Mueva la barra parlante lejos del televisor dentro de un rango que permita que esas partes funcionen correctamente. Para las ubicaciones de los sensores y del receptor del mando a distancia, consulte el manual de instrucciones proporcionadas con el televisor.

Reiniciar

Si el sistema sigue sin funcionar correctamente, reinicielo de la siguiente manera:

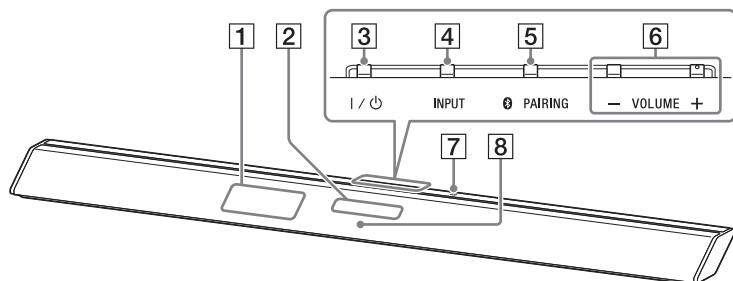
- 1 Presione el botón I/⏻ (encendido/en espera) para encender el sistema.**
- 2 Pulse MENU.**
- 3 Seleccione [SYSTEM] con ▲▼ (seleccionar), luego presione ENTER.**
- 4 Seleccione [SYS.RST] con ▲▼ (seleccionar), luego presione ENTER.**
- 5 Cuando aparezca [START] en el visor de la barra parlante, presione ENTER.**
Aparece [RESET] en el visor y las configuraciones del menú y los campos acústicos, etc., vuelven a su estado inicial.
- 6 Cuando desaparezca [RESET] desconecte el cable de alimentación de ca.**

Guía para las partes y los controles

Para obtener más información, consulte las páginas indicadas en paréntesis.

Barra parlante

Paneles frontales y superiores



1 Sensor de mando a distancia

2 Visor del panel frontal

3 Botón I/O (encendido/en espera)

4 Botón INPUT (página 8, 21)

5 Botón PAIRING (página 8)

6 Botones VOLUME +/-

7 Marca N (página 9)

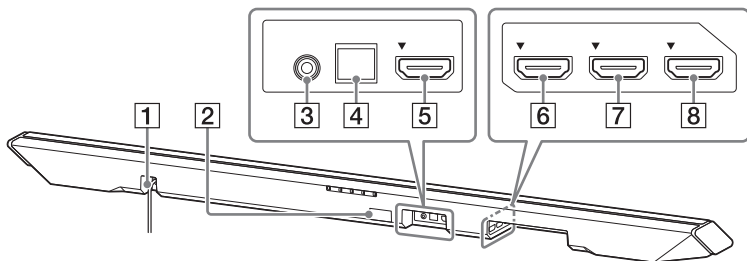
Cuando usa la función NFC, toque su dispositivo compatible con NFC con la marca.

8 Indicador BLUETOOTH (azul)

Estado BLUETOOTH

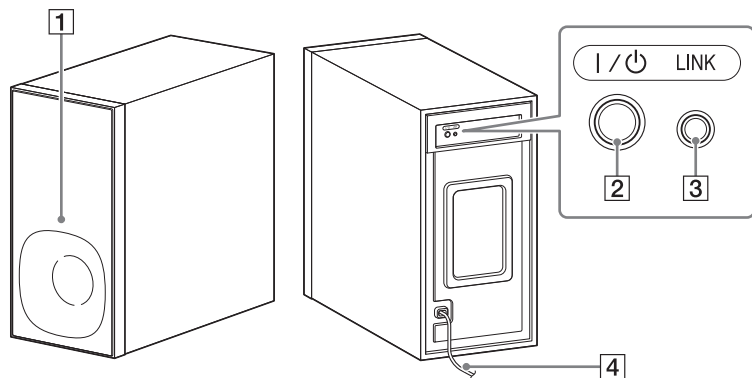
- Durante la sincronización BLUETOOTH: Parpadea rápidamente
- Se está intentando la conexión BLUETOOTH: Parpadea
- Se ha establecido la conexión BLUETOOTH: Encendido
- Modo en espera de BLUETOOTH (cuando el sistema está apagado): Apagado

Panel trasero



- 1** Cable de alimentación de ca
- 2** Puerto UPDATE (solo HT-CT780)
Solo para actualizaciones
- 3** Toma ANALOG IN
- 4** Toma DIGITAL IN (TV)
- 5** Toma HDMI IN 3
- 6** Toma HDMI IN 1
HT-CT780 es compatible con HDCP 2.2.
- 7** Toma HDMI IN 2
- 8** Toma HDMI OUT (ARC)
HT-CT780 es compatible con HDCP 2.2.

Subwoofer



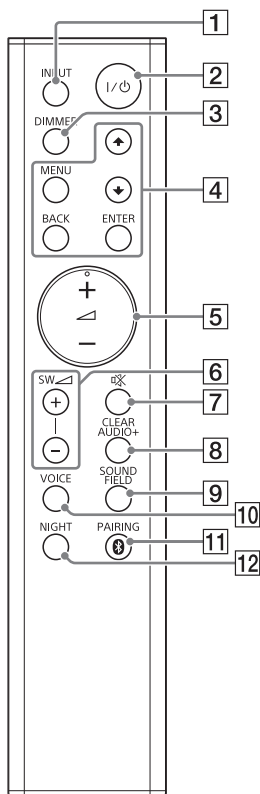
1 Indicador encendido/en espera

2 Botón I / ⏻ (encendido/en espera)

3 Botón LINK (página 24)

4 Cable de alimentación de ca

Mando a distancia



- 1** Botón INPUT (página 8)
- 2** Botón I/⏻ (encendido/en espera)
- 3** Botón DIMMER
Se puede cambiar el brillo del visor.
Brillante → Oscuro → Apagado

- Cuando el brillo del visor esté configurado en “Apagado”, el visor se apaga después de que el visor muestra el estado de operación por varios segundos.

- 4** Botones MENU/↕ (seleccionar)/ENTER/BACK (página 16)
Presione ↕ o ↴ para seleccionar los elementos del menú. Luego presione ENTER para ingresar la selección.
Para regresar a la anterior visualización, presione BACK.
 - 5** Botones ▽ (volumen) +/-
Se ajusta del volumen.
 - 6** Botones SW ▽ (volumen del altavoz potenciador de graves) +/-
Ajusta el volumen del sonido de bajos.
 - 7** Botón ✖ (silencio)
Apaga temporalmente el sonido.
 - 8** Botón CLEARAUDIO+
Selecciona automáticamente el ajuste de sonido adecuado para la fuente de sonido.
 - 9** Botón SOUND FIELD (página 11)
Selecciona un modo de sonido.
 - 10** Botón VOICE (página 11)
 - 11** Botón PAIRING (página 8)
 - 12** Botón NIGHT (página 11)
- * El botón ▽ + tiene un punto táctil. Úselo como guía durante la operación.

Formatos de audio compatibles

Formatos de entrada de audio digital compatibles con el sistema

Los formatos de audio compatibles con este sistema son los siguientes.

- Dolby Digital
- Dolby Digital Plus*
- Dolby TrueHD*
- DTS
- DTS96/24
- DTS-HD Master Audio*
- DTS-HD High Resolution Audio*
- DTS-HD Low Bit Rate*
- Linear PCM 2ch 48 kHz o menos
- Linear PCM Maximum 7,1ch 192 kHz o menos*

* Es posible transmitir estos formatos sólo mediante conexión HDMI.

Formatos de video compatibles con el sistema

Entrada/Salida (Repetidor HDMI)

Archivo	2D	3D		
		Empaquetado de trama	Lado a lado (medio)	Sobre-Debajo (Superior e inferior)
4096 × 2160p @ 59,94/60 Hz*	○	-	-	-
4096 × 2160p @ 50 Hz*	○	-	-	-
4096 × 2160p @ 23,98/24 Hz**	○	-	-	-
3840 × 2160p @ 59,94/60 Hz*	○	-	-	-
3840 × 2160p @ 50 Hz*	○	-	-	-
3840 × 2160p @ 29,97/30 Hz**	○	-	-	-
3840 × 2160p @ 25 Hz**	○	-	-	-
3840 × 2160p @ 23,98/24 Hz**	○	-	-	-
1920 × 1080p @ 59,94/60 Hz	○	-	○	○
1920 × 1080p @ 50 Hz	○	-	○	○
1920 × 1080p @ 29,97/30 Hz	○	○	○	○
1920 × 1080p @ 25 Hz	○	○	○	○
1920 × 1080p @ 23,98/24 Hz	○	○	○	○
1920 × 1080i @ 59,94/60 Hz	○	○	○	○
1920 × 1080i @ 50 Hz	○	○	○	○
1280 × 720p @ 59,94/60 Hz	○	○	○	○
1280 × 720p @ 50 Hz	○	○	○	○
1280 × 720p @ 29,97/30 Hz	○	○	○	○
1280 × 720p @ 23,98/24 Hz	○	○	○	○
720 × 480p @ 59,94/60 Hz	○	-	-	-
720 × 576p @ 50 Hz	○	-	-	-
640 × 480p @ 59,94/60 Hz	○	-	-	-

* YCbCr 4:2:0/Solo 8 bits compatible

** Solo 8 bits compatible

Especificaciones

Barra parlante (SA-CT380, SA-CT780)

Sección del amplificador

Modelos para EE. UU.:

POTENCIA DE SALIDA Y DISTORSIÓN ARMÓNICA TOTAL: (FTC)

Frontal I + Frontal D:
Con cargas de 4 ohmio, ambos canales accionados, entre 200 Hz y 20 000 Hz; potencia media mínima de 35 W por canal y una distorsión armónica total que no supera el 1%, que va desde los 250 miliwatt hasta la potencia nominal.

POTENCIA DE SALIDA (referencia)

SA-CT380:
Frontal I/Frontal D: 100 W (por canal a 4 ohmio, 1 kHz)

SA-CT780:
Frontal I/Frontal D: 105 W (por canal a 4 ohmio, 1 kHz)

Modelos para Canadá:

POTENCIA DE SALIDA (nominal)

Frontal I + Frontal D:
50 W + 50 W (a 4 ohmio 1 kHz 1% THD)

POTENCIA DE SALIDA (referencia)

SA-CT380:
Frontal I/Frontal D: 100 W (por canal a 4 ohmio, 1 kHz)

SA-CT780:
Frontal I/Frontal D: 105 W (por canal a 4 ohmio, 1 kHz)

Entradas

HDMI IN* 1/2/3
ANALOG IN
DIGITAL IN (TV)

Salidas

HDMI OUT** (ARC)

* HT-CT380: Las tomas 1, 2 y 3 son idénticas. Usar cualquiera de ellas es indistinto.

HT-CT780: La toma 1 soporta el protocolo HDCP 2.2. HDCP 2.2 es la tecnología de protección de derecho de autor mejorada que se utiliza para

proteger el contenido tal como las películas 4K. Las tomas 2 y 3 son idénticas. Usar cualquiera de ellas es indistinto.

** HT-CT780: La toma HDMI OUT soporta el protocolo HDCP 2.2. HDCP 2.2 es la tecnología de protección de derecho de autor mejorada que se utiliza para proteger el contenido tal como las películas 4K.

Sección HDMI

Conector

Tipo A (19 pines)

Sección BLUETOOTH

Sistema de comunicación

Especificación BLUETOOTH versión 3.0

Salida

Especificación BLUETOOTH clase de energía 2

Rango máximo de comunicación

Línea visual aprox. 10 m¹⁾

Número máximo de dispositivos a registrarse

9 dispositivos

Banda de frecuencia

Banda de 2,4 GHz (2,4000 GHz a 2,4835 GHz)

Método de modulación

FHSS (Freq Hopping Spread Spectrum)

Perfiles BLUETOOTH compatibles²⁾

A2DP 1.2 (Advanced Audio Distribution Profile)

AVRCP 1.3 (Audio Video Remote Control Profile)

Códecs compatibles³⁾

SBC⁴⁾, AAC⁵⁾

Rango de transmisión (A2DP)

20 Hz - 20 000 Hz (frecuencia de muestreo de 44,1 kHz)

1) El rango real varía según distintos factores, como obstáculos entre los dispositivos, campos magnéticos de un horno de microondas, electricidad estática, teléfono inalámbrico, sensibilidad de recepción, sistema operativo, aplicación de software, etc.

2) Los perfiles BLUETOOTH estándar indican el objetivo de la comunicación BLUETOOTH entre los dispositivos.

3) Códec: Compresión de señal de audio y formato de conversión

4) Códec de banda secundaria

5) Codificación de audio avanzada

Sección Altavoces Frontal I/Frontal D

Sistema de altavoz

SA-CT380: Sistema de altavoz de

rango total, suspensión acústica

SA-CT780: Sistema de altavoz
bidireccional, suspensión acústica

Altavoz

SA-CT380: Tipo cónico de 60 mm
(2 ³/₈ pulgadas)

SA-CT780: Woofer: 60 mm
(2 ³/₈ pulgadas)
tipo cónico
Altavoz de agudos: 19 mm
(³/₄ pulgada)
tipo domo suave

General

Requisitos de alimentación

120 V ca, 60 Hz

Consumo de energía

SA-CT380:

Encendido: 37 W

Modo de espera: 0,3 W o menos
(en el modo de ahorro de energía,
ver página 21)

Modo de espera: 0,5 W o menos
(Cuando [S. THRU] esté [ON]: 6 W o
menos)

SA-CT780:

Encendido: 40 W

Modo de espera: 0,3 W o menos
(en el modo de ahorro de energía,
ver página 21)

Modo de espera: 0,5 W o menos
(Cuando [S. THRU] esté [ON]: 6 W o
menos)

Dimensiones (aprox.) (an./al./prf.)

SA-CT380:

900 mm × 51 mm × 117 mm
(35 ¹/₂ pulgadas × 2 ¹/₈ pulgadas ×
4 ⁵/₈ pulgadas) (sin soportes de
fijación)

900 mm × 120 mm × 72 mm
(35 ¹/₂ pulgadas × 4 ³/₄ pulgadas ×
2 ⁷/₈ pulgadas) (con soportes de
fijación)

SA-CT780:

1 030 mm × 55 mm × 117 mm
(40 ⁵/₈ pulgadas × 2 ¹/₄ pulgadas ×
4 ⁵/₈ pulgadas) (sin soportes de
fijación)

1 030 mm × 120 mm × 74 mm

(40 ⁵/₈ pulgadas × 4 ³/₄ pulgadas ×
3 pulgadas) (con soportes de fijación)

Peso (aprox.)

SA-CT380: 2,4 kg (5 libras 4 ⁵/₈ onzas)

SA-CT780: 2,8 kg (6 libras 2 ³/₄ onzas)

Subwoofer (SA-WCT380, SA-WCT780)

POTENCIA DE SALIDA (referencia)

SA-WCT380:

100 W (por canal a 4 ohmio, 100 Hz)

SA-WCT780:

120 W (por canal a 4 ohmio, 100 Hz)

Sistema de altavoz

Sistema Subwoofer, reflejo de graves

Altavoz

SA-WCT380: Tipo cónico de 13 cm
(5 ¹/₄ pulgadas)

SA-WCT780: Tipo cónico de 16 cm
(6 ¹/₂ pulgadas)

Requisitos de alimentación

120 V ca, 60 Hz

Consumo de energía

SA-WCT380:

Encendido: 20 W

Modo en espera: 0,5 W o menos

SA-WCT780:

Encendido: 30 W

Modo en espera: 0,5 W o menos

Dimensiones (aprox.) (an./al./prf.)

SA-WCT380:

170 mm × 342 mm × 381 mm
(6 ³/₄ pulgadas × 13 ¹/₂ pulgadas ×
15 pulgadas) (instalación vertical)
342 mm × 172 mm × 381 mm
(13 ¹/₂ pulgadas × 6 ⁷/₈ pulgadas ×
15 pulgadas) (instalación horizontal)

SA-WCT780:

191 mm × 382 mm × 390 mm
(7 ⁵/₈ pulgadas × 15 ¹/₈ pulgadas ×
15 ³/₈ pulgadas)

Peso (aprox.)

SA-WCT380: 6,6 kg

(14 libras 8 ³/₄ onzas)

SA-WCT780: 7,9 kg

(17 libras 6 ⁵/₈ onzas)

Sección de transmisión/ recepción inalámbrica

Sistema de altavoz

Especificación del sonido inalámbrico
versión 2.0

Banda de frecuencia

2,4 GHz (2,4000 GHz - 2,4835 GHz)

Método de modulación

Pi / 4 DQPSK

El diseño y las especificaciones están sujetos a cambios sin previo aviso.

En comunicación BLUETOOTH

- Los dispositivos BLUETOOTH se deben usar dentro de aproximadamente 10 metros (distancia sin obstrucciones) uno del otro. El rango de comunicación eficaz puede acortarse en las siguientes condiciones.
 - Cuando una persona, objeto metálico, pared u otra obstrucción está entre los dispositivos con una conexión BLUETOOTH
 - Ubicaciones donde está instalada una LAN inalámbrica
 - Cerca de hornos de microondas que estén en uso
 - Ubicaciones donde se den otras ondas electromagnéticas
- Los dispositivos BLUETOOTH y LAN inalámbrica (IEEE 802.11b/g) usan la misma banda de frecuencia (2,4 GHz) Al usar el dispositivo BLUETOOTH cerca de un dispositivo con capacidades de LAN inalámbrica, puede ocurrir interferencia electromagnética. Esto puede generar una menor velocidad de transferencia de datos, ruido o imposibilidad para conectarse. Si esto sucede, intente lo siguiente:
 - Utilice este sistema al menos a 10 metros del dispositivo LAN inalámbrico.
 - Apague el dispositivo de LAN inalámbrica al utilizar el dispositivo BLUETOOTH dentro de un rango de 10 metros.
 - Instale este sistema y el dispositivo BLUETOOTH tan cerca como sea posible el uno del otro.
- Las ondas de radio que emite este sistema pueden interferir con el funcionamiento de algunos dispositivos médicos. Dado que la

interferencia puede generar fallas de funcionamiento, siempre apague el sistema, y el dispositivo BLUETOOTH en los siguiente lugares:

- En hospitales, trenes, aviones, estaciones de combustible y en cualquier lugar donde puedan haber gases inflamables
- Cerca de puertas automáticas o alarmas de incendio
- Este sistema admite funciones de seguridad que cumplen con la especificación de BLUETOOTH para garantizar la conexión segura durante las comunicaciones por medio de la tecnología BLUETOOTH. Sin embargo, esta seguridad puede ser insuficiente dependiendo de los contenidos de los ajustes y otros factores, de modo que siempre tenga cuidado al realizar comunicaciones utilizando tecnología BLUETOOTH.
- Sony no puede ser responsable de ninguna manera por daños u otras pérdidas producto de la divulgación de información durante la comunicación mediante la tecnología BLUETOOTH.
- No se garantiza con certeza la comunicación de BLUETOOTH con todos los dispositivos BLUETOOTH que tengan el mismo perfil del sistema.
- Los dispositivos BLUETOOTH conectados con este sistema deben cumplir con la especificación de BLUETOOTH que indica Bluetooth SIG, Inc., y deben tener certificación de ello. No obstante, incluso si un dispositivo cumple con la especificación de BLUETOOTH, puede haber casos donde las características o especificaciones del dispositivo BLUETOOTH hacen que sea imposible conectarlo o pueden generar métodos de control, visualización o funcionamiento diferentes.

- Puede producirse ruido o el audio se puede interrumpir según el dispositivo BLUETOOTH conectado con el sistema, el entorno de comunicaciones o las condiciones circundantes.

Si desea realizar alguna pregunta o solucionar algún problema relacionado con el sistema, póngase en contacto con el distribuidor Sony más cercano.

CONTRATO DE LICENCIA DE USUARIO FINAL

IMPORTANTE:

LEA ATENTAMENTE EL PRESENTE CONTRATO DE LICENCIA DE USUARIO FINAL (END USER LICENSE AGREEMENT – “EULA”) ANTES DE UTILIZAR EL SOFTWARE. AL UTILIZARLO, ESTARÁ ACEPTANDO LOS TÉRMINOS Y CONDICIONES DEL EULA. SI NO ACEPTA LOS TÉRMINOS Y CONDICIONES DE ESTE EULA, NO PODRÁ UTILIZAR EL SOFTWARE.

Este EULA constituye un contrato legal entre Ud. y Sony Corporation (“SONY”). Este EULA rige sus derechos y obligaciones con respecto al software SONY de SONY y/ o de sus terceros licenciantes (incluyendo las filiales de SONY) y sus respectivas filiales (conjuntamente, los “TERCEROS PROVEEDORES”), junto con todas las actualizaciones/nuevas versiones facilitadas por SONY, toda la documentación impresa, online o electrónica relativa al software, y todos los archivos de datos creados mediante el funcionamiento de dicho software (conjuntamente, el “SOFTWARE”).

Sin perjuicio de lo anteriormente dispuesto, todo programa de software incluido en el SOFTWARE que tenga un contrato de licencia de usuario final aparte (incluyendo, sin limitación alguna, la Licencia Pública General de GNU (GNU General Public License), la Licencia Pública General Reducida de GNU (GNU Lesser General Public License) y la Licencia Pública General para Bibliotecas de GNU (GNU Library General Public License) se registrará por dicho otro contrato de licencia de usuario final aparte en sustitución de los términos y condiciones de este EULA en la medida de lo estipulado por el contrato de licencia de usuario final en cuestión (el “SOFTWARE EXCLUIDO”).

LICENCIA DE SOFTWARE

El SOFTWARE se otorga bajo licencia, no se vende. El SOFTWARE está protegido por derechos de autor y por todos los tratados internacionales y demás leyes de propiedad intelectual.

DERECHOS DE AUTOR

Todos los derechos y la titularidad sobre el SOFTWARE (incluyendo, sin limitación alguna, cualesquiera imágenes, fotografías, animaciones, vídeo, audio, música, texto y “applets” incorporados en el SOFTWARE) pertenecen a SONY o a uno o varios de los TERCEROS PROVEEDORES.

OTORGAMIENTO DE LICENCIA

SONY le otorga una licencia limitada de uso del SOFTWARE exclusivamente en relación con su dispositivo compatible (“DISPOSITIVO”) y únicamente para su uso personal y no comercial. SONY y los TERCEROS PROVEEDORES se reservan expresamente todos los derechos, la plena titularidad y los intereses (incluyendo, sin limitación alguna, todos los derechos de propiedad intelectual) sobre el SOFTWARE que este EULA no le otorgue de forma específica.

REQUISITOS Y LIMITACIONES

Ud. no podrá copiar, publicar, adaptar, redistribuir, intentar descifrar el código fuente, modificar, realizar trabajos de ingeniería inversa, descompilar o desensamblar ningún SOFTWARE, total o parcialmente, o crear trabajos derivados del SOFTWARE, salvo que dichos trabajos derivados sean facilitados intencionadamente por el SOFTWARE. No podrá modificar o alterar las funciones de gestión de los derechos digitales del SOFTWARE. No podrá eludir, modificar, anular o evitar ninguna de las funciones y protecciones del SOFTWARE ni ningún mecanismo operativamente vinculado al SOFTWARE. No podrá separar ningún componente individual del SOFTWARE para ser utilizado en más de un DISPOSITIVO salvo que SONY así lo

autorice expresamente. No podrá suprimir, alterar, ocultar o eliminar ninguna de las marcas y advertencias del SOFTWARE. No podrá compartir, distribuir, alquilar, arrendar, sublicenciar, ceder, transferir o vender el SOFTWARE. El software, los servicios de red y el resto de productos distintos del SOFTWARE de los que depende el funcionamiento del SOFTWARE podrán dejar de prestarse o comercializarse a elección exclusiva de los proveedores (proveedores de software, proveedores de servicio o SONY). Ni SONY ni los mencionados proveedores garantizan que el SOFTWARE, los servicios de red, los contenidos y el resto de productos seguirán estando disponibles o que funcionarán sin interrupciones o modificaciones.

UTILIZACIÓN DEL SOFTWARE CON MATERIALES PROTEGIDOS POR DERECHOS DE AUTOR

Es posible que el SOFTWARE le permita visualizar, almacenar, procesar y/o utilizar contenido creado por Ud. y/o por otros terceros. Dicho contenido podrá estar protegido por derechos de autor y por leyes y/o acuerdos en materia de propiedad intelectual. Ud. se obliga a utilizar el SOFTWARE únicamente de conformidad con las leyes y los acuerdos que sean de aplicación a dicho contenido. Ud. reconoce y acepta que SONY podrá adoptar las medidas oportunas para proteger los derechos de autor del contenido almacenado, procesado o utilizado por el SOFTWARE. Dichas medidas incluirán a título enunciativo, que no limitativo, la determinación de la frecuencia de realización de copias de seguridad y restauración mediante determinadas características del SOFTWARE, la negativa a aceptar su solicitud para permitir la restauración de datos, y la resolución del presente EULA en caso de que Ud. utilice el SOFTWARE de forma ilícita.

SERVICIOS DE CONTENIDO

EL SOFTWARE PUEDE HABER SIDO DISEÑADO PARA SER UTILIZADO CON EL CONTENIDO DISPONIBLE A TRAVÉS DE UNO O VARIOS SERVICIOS DE CONTENIDO ("SERVICIO DE CONTENIDO"). EL USO DEL SERVICIO Y DEL CORRESPONDIENTE CONTENIDO ESTÁ SUJETO A LOS TÉRMINOS Y CONDICIONES DE SERVICIO DE ESE SERVICIO DE CONTENIDO. SI NO ACEPTA ESOS TÉRMINOS Y CONDICIONES, SU UTILIZACIÓN DEL SOFTWARE QUEDARÁ LIMITADA. Ud. reconoce y acepta que determinados contenidos y servicios disponibles a través del SOFTWARE podrán ser proporcionados por otros terceros sobre los que SONY no tiene ningún tipo de control. EL USO DE LOS SERVICIOS DE CONTENIDO EXIGE CONEXIÓN A INTERNET. LOS SERVICIOS DE CONTENIDO PODRÁN DEJAR DE PRESTARSE EN CUALQUIER MOMENTO.

CONEXIÓN A INTERNET Y SERVICIOS DE TERCEROS

Ud. reconoce y acepta que el acceso a determinadas prestaciones del SOFTWARE podrá exigir conexión a Internet de la que Ud. será el único responsable. Asimismo, será enteramente responsable del pago a terceros de las tarifas relativas a su conexión a Internet incluyendo, sin limitación alguna, las tarifas de los proveedores de Internet o de tiempo de uso. El funcionamiento del SOFTWARE podrá quedar limitado o restringido en función de las capacidades, el ancho de banda o las limitaciones técnicas de su conexión y servicio de Internet. El suministro, la calidad y la seguridad de dicha conexión a Internet son responsabilidad exclusiva del tercero que preste dicho servicio.

EXPORTACIÓN Y OTRA NORMATIVA

Ud. se obliga a cumplir con todas las normativas y restricciones en materia de exportación y reexportación que resulten de aplicación en la región o país donde Ud.

reside, y se obliga asimismo a no transferir el SOFTWARE (o autorizar su transferencia) a un país prohibido o en contravención de lo estipulado por dichas normativas y restricciones.

ACTIVIDADES DE ALTO RIESGO

El SOFTWARE no es infalible ni ha sido diseñado, fabricado o concebido para ser utilizado o revendido como equipo de control on-line en entornos peligrosos que requieran un funcionamiento a prueba de fallos, como en instalaciones nucleares, sistemas de navegación o comunicación aérea, sistemas de control del tráfico aéreo, equipos de soporte vital directo o sistemas armamentísticos, en los que el fallo del SOFTWARE podría provocar muertes, daños personales o graves daños materiales o medioambientales (las "ACTIVIDADES DE ALTO RIESGO"). SONY, y todos y cada uno de los TERCEROS PROVEEDORES y sus respectivas filiales excluyen específicamente cualquier garantía, obligación o condición, expresa o implícita, sobre la idoneidad del SOFTWARE para el desarrollo de ACTIVIDADES DE ALTO RIESGO.

EXCLUSIÓN DE GARANTÍAS SOBRE EL SOFTWARE

Ud. reconoce y acepta que la utilización del SOFTWARE será por su cuenta y riesgo exclusivamente y que Ud. será el responsable de su uso. El SOFTWARE se proporciona "TAL CUAL," sin garantías, obligaciones o condiciones de ningún tipo.

SONY Y TODOS Y CADA UNO DE LOS TERCEROS PROVEEDORES (a los efectos de esta Cláusula, SONY y los TERCEROS PROVEEDORES se denominarán conjuntamente "SONY") EXCLUYEN EXPRESAMENTE TODAS LAS GARANTÍAS, OBLIGACIONES O CONDICIONES, EXPRESAS O IMPLÍCITAS, INCLUYENDO, SIN LIMITACIÓN ALGUNA, LAS GARANTÍAS IMPLÍCITAS DE COMERCIABILIDAD, NO INFRACCIÓN Y ADECUACIÓN A UN FIN CONCRETO. SONY NO GARANTIZA NI ESTABLECE NINGÚN TIPO DE CONDICIÓN O

MANIFESTACIÓN EN EL SENTIDO DE QUE (A) LAS FUNCIONES CONTENIDAS EN EL SOFTWARE SE AJUSTARÁN A SUS REQUISITOS O SERÁN ACTUALIZADAS, (B) EL SOFTWARE FUNCIONARÁ CORRECTAMENTE, ESTARÁ LIBRE DE ERRORES O SUS POSIBLES FALLOS SERÁN CORREGIDOS, (C) EL SOFTWARE NO DAÑARÁ NINGÚN OTRO SOFTWARE, HARDWARE O DATOS, (D) EL SOFTWARE, LOS SERVICIOS DE RED (INCLUYENDO INTERNET) O LOS PRODUCTOS (DISTINTOS DEL SOFTWARE) DE LOS QUE DEPENDE EL FUNCIONAMIENTO DEL SOFTWARE SEGUIRÁN ESTANDO DISPONIBLES, O NO EXPERIMENTARÁN INTERRUPCIONES O MODIFICACIONES, Y (E), CON RESPECTO AL USO O A LOS RESULTADOS DEL USO DEL SOFTWARE, SONY NO GARANTIZA NI ESTABLECE NINGÚN TIPO DE CONDICIÓN O MANIFESTACIÓN EN CUANTO A SU EXACTITUD, PRECISIÓN, FIABILIDAD O CUALQUIER OTRO ASPECTO.

NINGUNA INFORMACIÓN O INDICACIÓN FACILITADA VERBALMENTE O POR ESCRITO POR SONY O POR UN REPRESENTANTE AUTORIZADO DE SONY SERÁ CONSTITUTIVA DE UNA GARANTÍA, OBLIGACIÓN O CONDICIÓN NI AMPLIARÁ EN MODO ALGUNO EL ÁMBITO DE APLICACIÓN DE ESTA GARANTÍA. EN CASO DE QUE EL SOFTWARE RESULTE DEFECTUOSO, UD. ASUMIRÁ EL COSTE ÍNTEGRO DE TODOS LOS TRABAJOS DE REVISIÓN, REPARACIÓN O SUBSANACIÓN QUE RESULTEN NECESARIOS. ALGUNAS JURISDICIONES NO PERMITEN LA EXCLUSIÓN DE GARANTÍAS IMPLÍCITAS, POR LO QUE ESTAS EXCLUSIONES PODRÍAN NO SERLE DE APLICACIÓN.

LIMITACIÓN DE RESPONSABILIDAD

NI SONY NI NINGUNO DE LOS TERCEROS PROVEEDORES (a los efectos de esta Cláusula, SONY y los TERCEROS PROVEEDORES se denominarán conjuntamente "SONY") SERÁN RESPONSABLES POR CUALESQUIERA DAÑOS DERIVADOS O EMERGENTES QUE

PUEBAN RESULTAR DE LA INFRACCIÓN DE CUALQUIER GARANTÍA EXPRESA O IMPLÍCITA, DE CUALQUIER INCUMPLIMIENTO CONTRACTUAL O NEGLIGENCIA, O EN APLICACIÓN DEL PRINCIPIO DE RESPONSABILIDAD OBJETIVA O DE CUALQUIER OTRO PRINCIPIO JURÍDICO EN RELACIÓN CON EL SOFTWARE, INCLUYENDO, SIN LIMITACIÓN ALGUNA, CUALESQUIERA DAÑOS DERIVADOS DE PÉRDIDA DE BENEFICIOS, PÉRDIDA DE INGRESOS, PÉRDIDA DE DATOS, PÉRDIDA DE UTILIZACIÓN DEL SOFTWARE O CUALQUIER HARDWARE RELACIONADO, TIEMPO DE INACTIVIDAD Y TIEMPO DEL USUARIO, AUN CUANDO SE HAYA ADVERTIDO DE LA POSIBILIDAD DE QUE SE PRODUZCAN TALES DAÑOS. EN TODO CASO, LA RESPONSABILIDAD TOTAL DE SONY DERIVADA DE CUALQUIER DISPOSICIÓN DEL PRESENTE EULA ESTARÁ LIMITADA AL IMPORTE EFECTIVAMENTE ABONADO POR EL PRODUCTO. ALGUNAS JURISDICCIONES NO PERMITEN LA EXCLUSIÓN O LIMITACIÓN DE LA RESPONSABILIDAD POR DAÑOS DERIVADOS O EMERGENTES, POR LO QUE LA EXCLUSIÓN DISPUESTA ANTERIORMENTE PODRÍA NO SERLE DE APLICACIÓN.

FUNCIÓN DE ACTUALIZACIÓN AUTOMÁTICA

SONY o los TERCEROS PROVEEDORES podrán actualizar o modificar el SOFTWARE de forma automática para diversos fines como, a título enunciativo, el perfeccionamiento de funciones de seguridad, la corrección de errores y la mejora de funciones, tanto en el momento en que Ud. interactúe con los servidores de SONY o de dichos terceros como en cualquier otro momento. Dichas actualizaciones o modificaciones podrán eliminar o cambiar la naturaleza de las características u otros aspectos del SOFTWARE incluyendo, sin limitación alguna, las funciones que Ud. utilice habitualmente. Ud. reconoce y acepta que tales actividades podrán realizarse a elección exclusiva de SONY y que SONY

podrá exigirle que instale o acepte totalmente tales actualizaciones o modificaciones para poder seguir utilizando el SOFTWARE. Cualquier actualización/modificación se considerará y constituirá parte integrante del SOFTWARE a los efectos del presente EULA. Al aceptar el presente EULA, Ud. presta su consentimiento para que se lleve a cabo dicha actualización/modificación.

ACUERDO COMPLETO, RENUNCIA Y NULIDAD PARCIAL

Este EULA junto con la política de privacidad de SONY, en la versión vigente de estos documentos en cada momento, constituyen el acuerdo completo entre Ud. y SONY con respecto al SOFTWARE. La omisión por parte de SONY en el ejercicio o exigencia de cualquier derecho o disposición de este EULA no constituirá una renuncia a dicho derecho o disposición. Si alguna disposición del presente EULA es declarada inválida o inaplicable, esa disposición se aplicará en la medida máxima de lo permitido por ley con el fin de mantener el espíritu de este EULA, y las disposiciones restantes permanecerán vigentes en todos sus términos.

LEY APLICABLE Y JURISDICCIÓN

La Convención de las Naciones Unidas sobre los Contratos de Compraventa Internacional de Mercaderías no será de aplicación a este EULA. El presente EULA se regirá por las leyes de Japón, sin remisión a las normas sobre conflictos de leyes. Los conflictos derivados de este EULA estarán sujetos a la jurisdicción exclusiva del Tribunal de Distrito de Tokio, Japón, y las partes acuerdan someterse a la jurisdicción de dicho tribunal.

ACCIONES LEGALES

Sin perjuicio de cualquier disposición en sentido contrario contenida en este EULA, Ud. reconoce y acepta que cualquier contravención o incumplimiento de este EULA por parte de Ud. ocasionará un daño

irreparable a SONY, con respecto al cual sería insuficiente una indemnización monetaria. En consecuencia, Ud. acepta que SONY podrá solicitar las medidas judiciales y cautelares que considere necesarias o convenientes en tales circunstancias. Asimismo, SONY podrá adoptar las medidas legales y técnicas que se precisen para evitar cualquier contravención de este EULA y/o velar por su cumplimiento incluyendo, sin limitación alguna, el cese inmediato de su uso del SOFTWARE si SONY considera, a su elección exclusiva, que Ud. está infringiendo o pretende infringir este EULA. Estas acciones legales son adicionales a cualesquiera otras de las que SONY pueda disponer conforme a Derecho, en virtud de los principios de equidad o el contrato.

RESOLUCIÓN

Sin perjuicio del resto de derechos que le asisten, SONY podrá resolver este EULA si Ud. incumple cualquiera de sus términos y condiciones. En caso de producirse tal resolución, Ud. deberá dejar de utilizar el SOFTWARE y destruir todas sus copias.

MODIFICACIÓN

SONY SE RESERVA EL DERECHO A MODIFICAR LOS TÉRMINOS Y CONDICIONES DE ESTE EULA A SU ELECCIÓN EXCLUSIVA PUBLICANDO UN AVISO EN LA PÁGINA WEB DESIGNADA POR SONY, ENVIÁNDOLE UNA NOTIFICACIÓN A LA DIRECCIÓN DE E-MAIL QUE HAYA FACILITADO, COMUNICÁNDOSELO COMO PARTE DEL PROCESO A TRAVÉS DEL CUAL UD. OBTenga NUEVAS VERSIONES/ACTUALIZACIONES O POR CUALQUIER OTRA FORMA DE NOTIFICACIÓN LEGALMENTE PREVISTA. Si no está conforme con la modificación, deberá ponerse en contacto inmediatamente con SONY para recibir las instrucciones pertinentes. Si sigue utilizando el SOFTWARE tras la fecha de efectos de la correspondiente notificación, se entenderá que ha aceptado la modificación y que se obliga a su cumplimiento.

TERCEROS BENEFICIARIOS

Cada uno de los TERCEROS PROVEEDORES se considerará expresamente un tercero beneficiario de las disposiciones de este EULA relativas a su SOFTWARE y, en consecuencia, tendrá derecho a exigir su cumplimiento.

Si necesita cualquier aclaración con respecto al presente EULA, diríjase a SONY por escrito a través de la dirección de contacto de la región o país correspondiente.

Copyright © 2014 Sony Corporation.